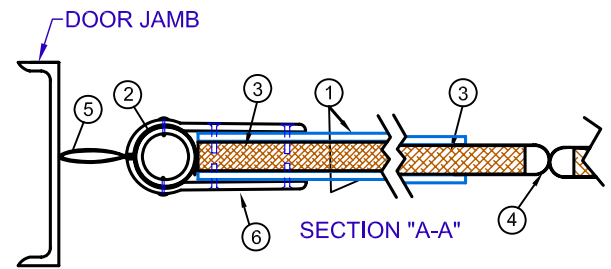
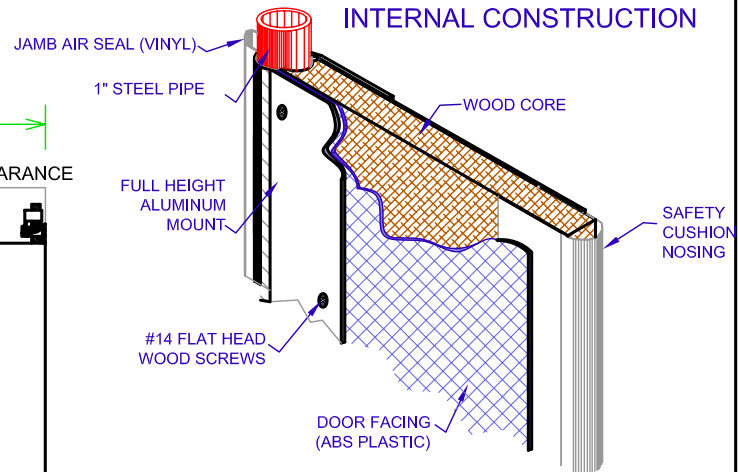
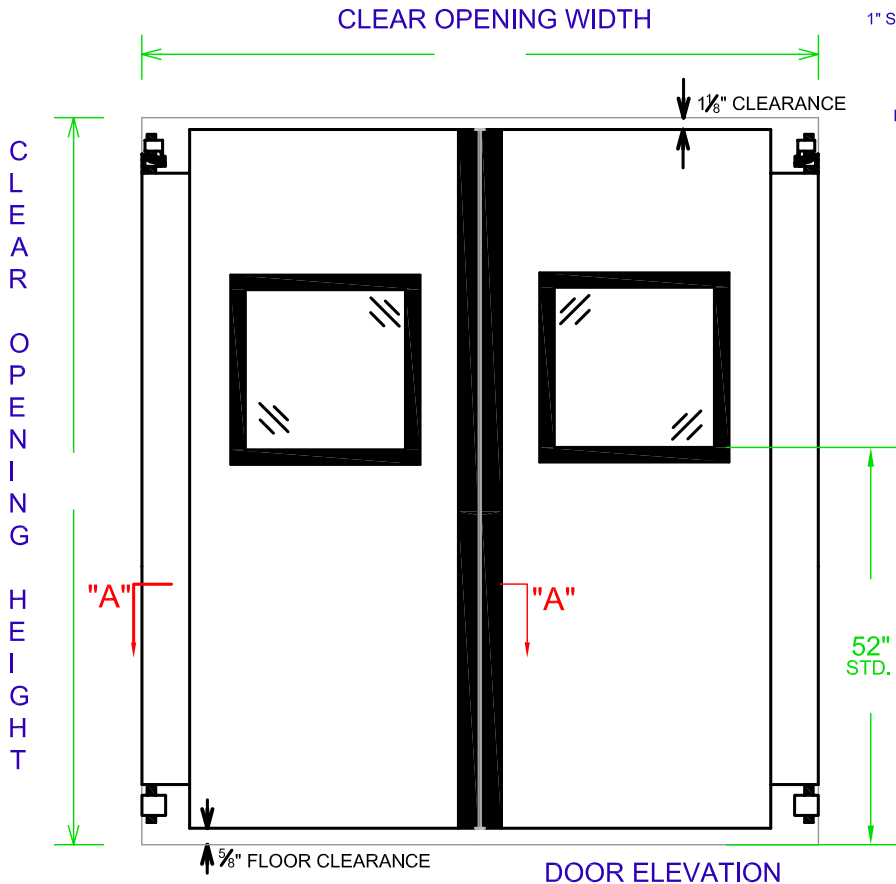
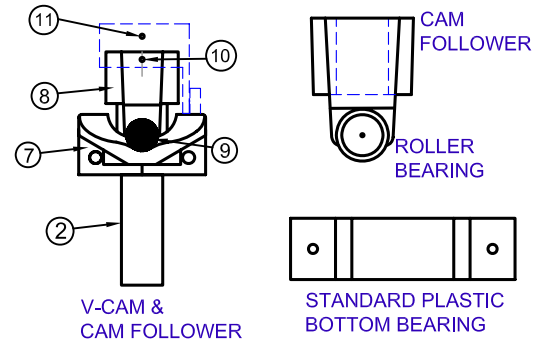


# PERMA CORE™

# TRAFFIC DOOR



### MOUNTING HARDWARE



### STANDARD FEATURES:

- 180° SWING, 1" RISE V-CAM GRAVITY HARDWARE
- FULL HEIGHT MOUNT ASSEMBLY
- FLEXIBLE CAM SHIELDS
- HEADER MOUNTED AIR SEAL
- JAMB AIR SEAL
- SEMI-RIGID, 3/4" THICK SOLID CORE
- 1/8" ABS PLASTIC FACING

NOTE: DOOR SHOWN WITH 22" x 22" OPTIONAL WINDOW

**SPECIFICATIONS:** NUMBER OF PAIRS: \_\_\_\_\_, COLOR: \_\_\_\_\_,  
DOOR SIZE: WIDTH \_\_\_\_\_, HEIGHT: \_\_\_\_\_

### OPTIONS:

- BUMPERS \_\_\_\_\_, HEIGHT: \_\_\_\_\_
- VISION PANELS:  7" x 10"       DOUBLE GLAZED  
 14" x 16"       SINGLE GASKETED  
 22" x 22"
- IMPACT PANELS:  PAD       WRAP AROUND  
COLOR: \_\_\_\_\_, HEIGHT: \_\_\_\_\_
- BOTTOM AIR SEAL
- FULL AIR SEAL PACKAGE
- BLADE SEALS:  TOP       BOTTOM
- JAMB GUARDS: 11 1/8"
- FLEXIBLE CAM SHIELDS
- 3/4" CAM RISE
- WELD PLATES
- HOLD OPEN DEVICE
- FIXED COMPRESSION SPRING (FOR WIND & AIR LOADS)

NO.	DESCRIPTION
1	DOOR FACING - ABS PLASTIC - 1/8" THICK
2	1" STEEL TUBE
3	WOOD CORE
4	SAFETY CUSHION LOOP TYPE NOSING
5	JAMB AIR SEAL
6	FULL HEIGHT ALUMINUM MOUNT
7	V-CAM - 1" STANDARD
8	CAM FOLLOWER
9	ROLLER BEARING
10	ROLL PIN
11	SET SCREW



## PERMA TECH, INC.

363 HAMBURG STREET • BUFFALO, NY 14204  
(716) 854-0707 • 1-800-DOC-SEAL • (716) 854-0774 FAX  
[www.permatechinc.com](http://www.permatechinc.com)

CUSTOMER: \_\_\_\_\_

DEALER: \_\_\_\_\_

QUOTE #: \_\_\_\_\_

APPROVED BY SIGNATURE: \_\_\_\_\_