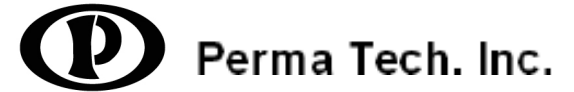
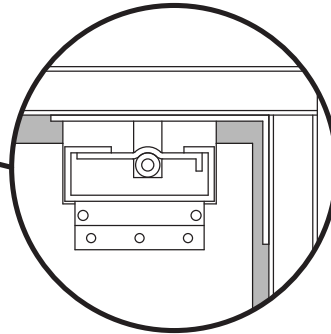
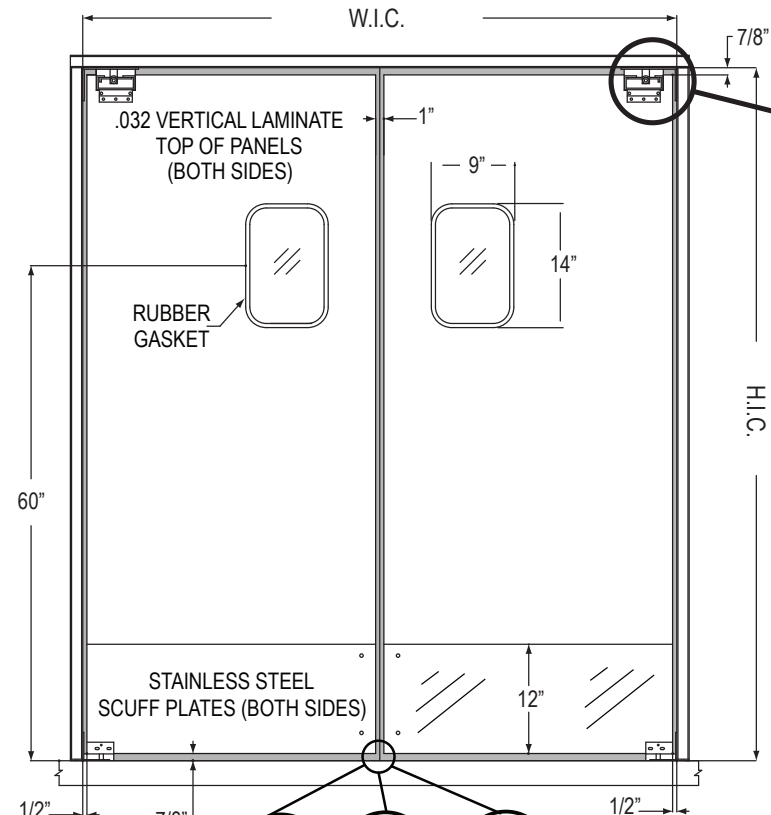


DOUBLE ACTING "RIGID" TRAFFIC DOOR



363 Hamburg Street, Buffalo, NY 14204
 Tel: 716-854-0707 Fax: 716-854-0774
 Sales@PermaTechInc.com www.PermaTechInc.com



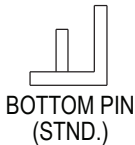
GS-HINGE ASSEMBLY

- Doors to be constructed of a 3/4 Hardwood Plywood Core.
- Standard features are:
- 12" High Stainless Steel Impact Plates.
 - GS type hinge.
 - Bottom pin assembly.
 - 9"x14" x 1/4" Acrylic Window Set in Rubber Gasket.
 - Full Perimeter Gasket - 9000-HPLG

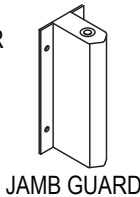


GASKET SS CAP PVC

FB-TEARDROP BUMPER



BOTTOM PIN (STND.)



JAMB GUARD

*CAFE DOOR ON SEPARATE SPEC SHEET.

Updated: 10/04/2018

DOOR SPECIFICATION
 Opening Width _____ x Height _____
 Qty. _____
 BI-PARTING SINGLE PANEL
 L R

PRESSURE LAMINATE'S
 Manufacturer _____
 Stock# _____
 Color# _____

TEARDROP BUMPER
 FB12" FB18" FB24"
 FB30" FB36" FB42"

STAINLESS STEEL IMPACT PLATE OPTIONS
 12" (STANDARD) 18"

EDGE TRIM
 STAINLESS STEEL CAPS - 9000HPL
 PVC (RIGID) - 9000HPL
 FULL GASKET - 9000HPLG

WINDOW SIZE
 9"x14" (STANDARD) 14"x16"
 22"x22"

HARDWARE OPTIONS
 (STANDARD) GS HINGE W/ BOTTOM PIN
 GS HINGE W/ (OPTIONAL) 10" JAMB GUARD
 (OPTIONAL) STAINLESS STEEL GS HINGE W/ SS BOTTOM PIN
 (OPTIONAL) STAINLESS STEEL GS HINGE W/ SS 10" JAMB GUARD
 (OPTIONAL) STAINLESS STEEL 10" JAMB GUARD W/ STANDARD HINGES

Charges will be assumed by buyer for changes or cancellations to work in process. Buyer hereby accepts responsibility for all sizes and dimensions. This order will not be processed until all acknowledgement forms are signed and returned.

Specification accepted by: _____

Date: _____

PT - 9000-HPL or HPLG IMPACT DOOR

JOB NAME/LOCATION

CUSTOMER/LOCATION

CUST. ORDER NO.

CUST. PO ORDER NO.