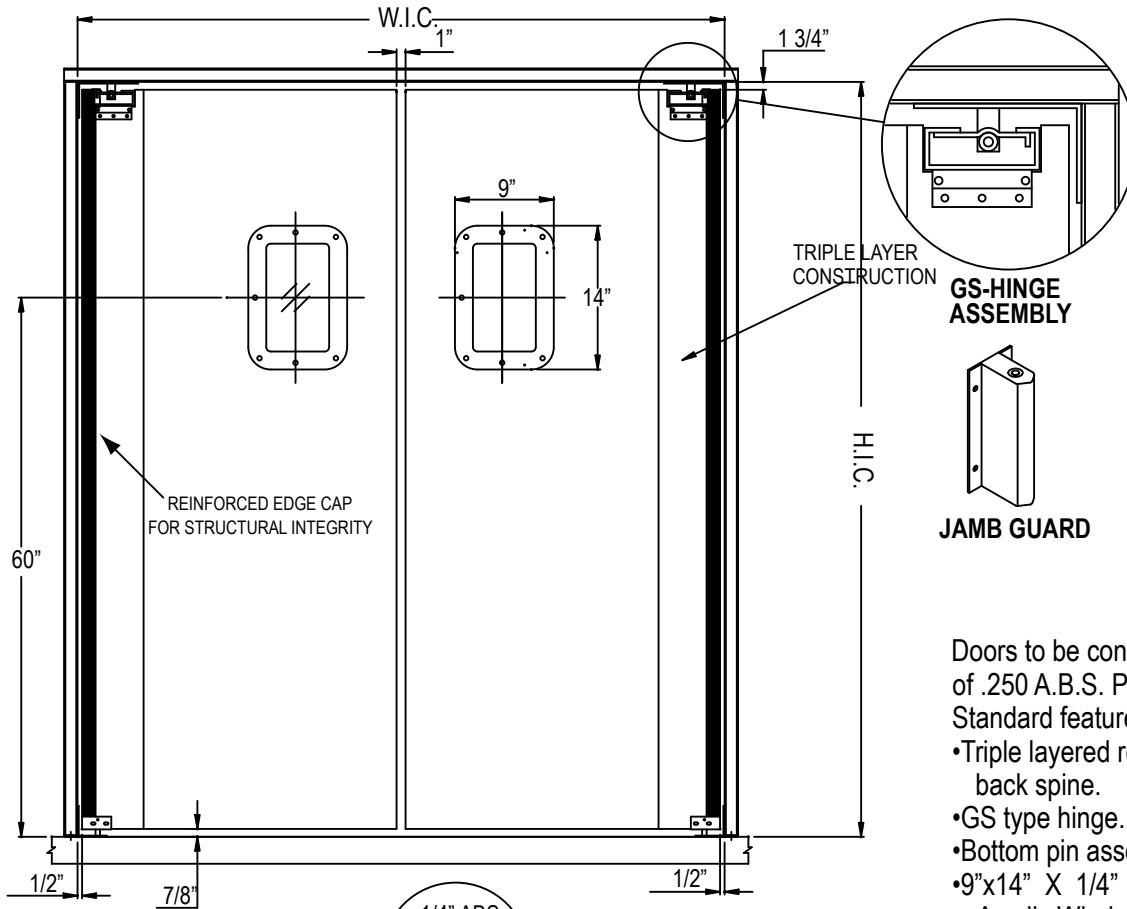
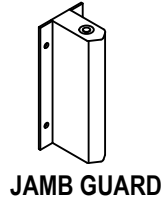


# DOUBLE ACTING "RIGID" TRAFFIC DOOR



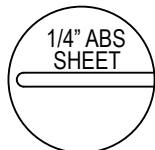
GS-HINGE ASSEMBLY



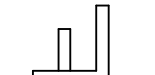
JAMB GUARD

Doors to be constructed of .250 A.B.S. Plastic Sheet. Standard features are:

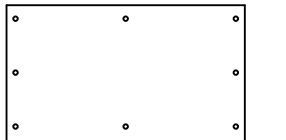
- Triple layered reinforced back spine.
- GS type hinge.
- Bottom pin assembly.
- 9"x14" X 1/4" Acrylic Window Set In A.B.S. Frames.
- Not gasketed.



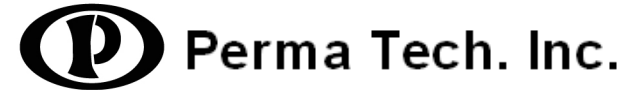
1/4" ABS SHEET



BOTTOM PIN (STND.)



(OPTIONAL) PLASTIC IMPACT PLATES



363 Hamburg Street, Buffalo, NY 14204  
Tel: 716-854-0707 Fax: 716-854-0774  
Sales@PermaTechInc.com www.PermaTechInc.com

## DOOR SPECIFICATION

Opening Width \_\_\_\_\_ x Height \_\_\_\_\_  
Qty. \_\_\_\_\_

BI-PARTING  SINGLE PANEL  
 L  R

## STANDARD COLORS .250 ABS

BLACK  WHITE  
 BEIGE

\* OTHER COLORS CONSULT FACTORY

## IMPACT OPTIONS (BLACK ABS STANDARD)

PL12"  PL18"  PL24"  
 PL30"  PL36"  PL48"

## WINDOW SIZES (ABS FRAMES)

6"x12"  9"x14" (STANDARD)  
 10"x30"  14"x16"  
 22" x22"

## HARDWARE OPTIONS

BOTTOM PIN (STANDARD)  
 SSGS HINGE W/ BOTTOM PIN  
 JG-10 (10")

Charges will be assumed by buyer for changes or cancellations to work in process. Buyer hereby accepts responsibility for all sizes and dimensions. This order will not be processed until all acknowledgement forms are signed and returned.

Specification accepted by: \_\_\_\_\_

Date: \_\_\_\_\_

\*Cafe door on separate spec sheet.

**PT-6000**

JOB NAME/LOCATION

CUSTOMER/LOCATION

CUST. ORDER NO.

CUST. P.O. NO.