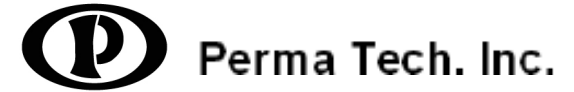
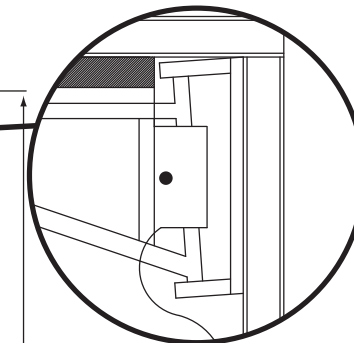
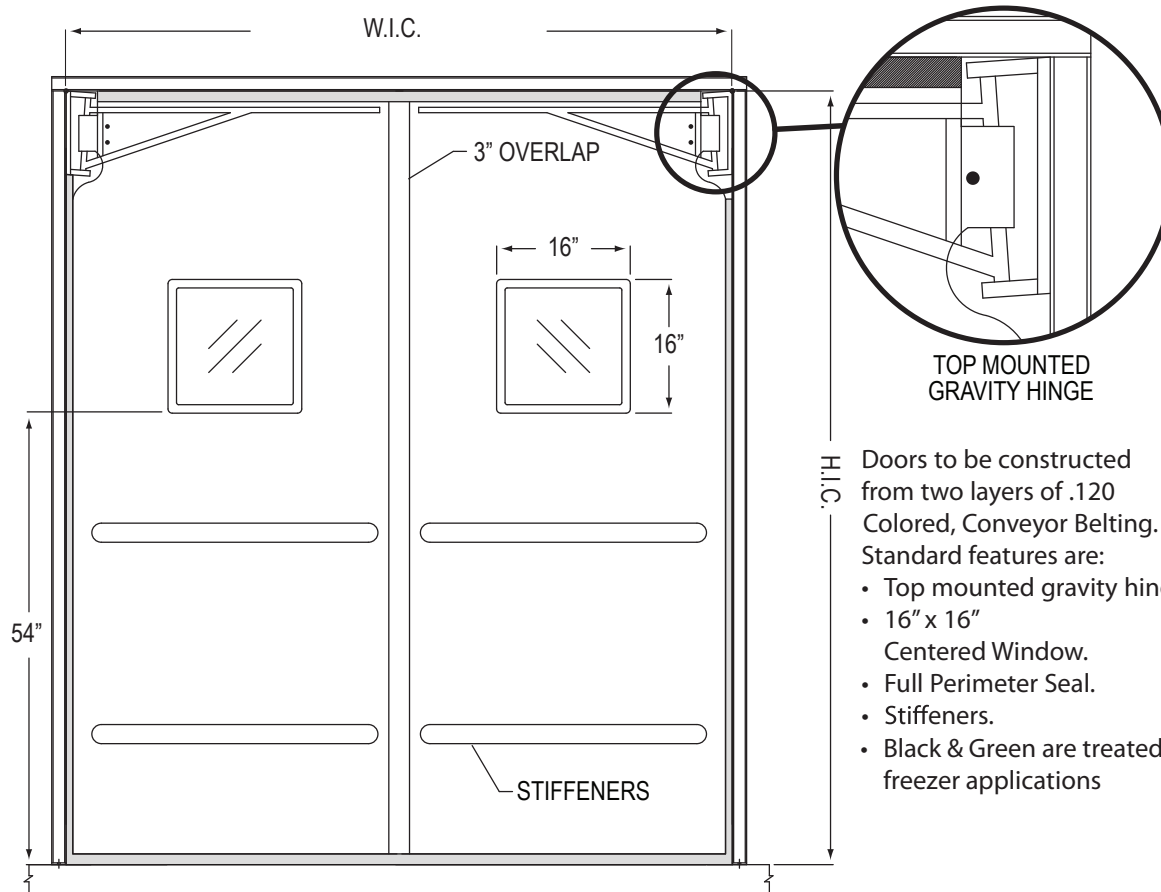


DOUBLE ACTING "FLEXIBLE BELTING" TRAFFIC DOORS



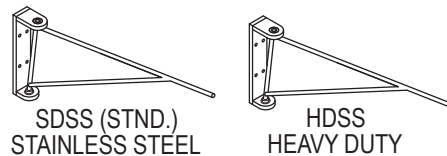
363 Hamburg Street, Buffalo, NY 14204
 Tel: 716-854-0707 Fax: 716-854-0774
 Sales@PermaTechInc.com www.PermaTechInc.com



TOP MOUNTED GRAVITY HINGE

Doors to be constructed from two layers of .120 Colored, Conveyor Belting. Standard features are:

- Top mounted gravity hinges.
- 16" x 16" Centered Window.
- Full Perimeter Seal.
- Stiffeners.
- Black & Green are treated for freezer applications



SDSS (STND.)
STAINLESS STEEL

HDSS
HEAVY DUTY

Charges will be assumed by buyer for changes or cancellations to work in process. Buyer hereby accepts responsibility for all sizes and dimensions. This order will not be processed until all acknowledgement forms are signed and returned.

Specification accepted by: _____

Date: _____

DOOR SPECIFICATION

Opening Width _____ x Height _____

Qty. _____

- BI-PARTING SINGLE PANEL
 L R

COLOR OPTIONS

- BLACK GREEN WHITE

OPTIONS FOR AIR PRESSURE

- SPRING LOADED HINGES
 CLOSING MAGNETS

WINDOW SIZES

- 16"x16" (STANDARD) 22" x 22"
 OTHER

WINDOW LOCATION

- CENTERED (STANDARD)
 OFFSET

PT-1200 FLEX DOOR

JOB NAME/LOCATION

CUSTOMER/LOCATION

CUST. ORDER NO.

CUST. PO ORDER NO.