

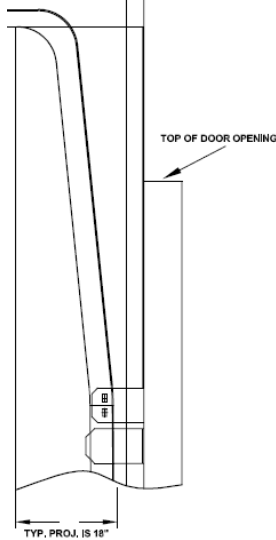


# Stand-Off Mount Survey

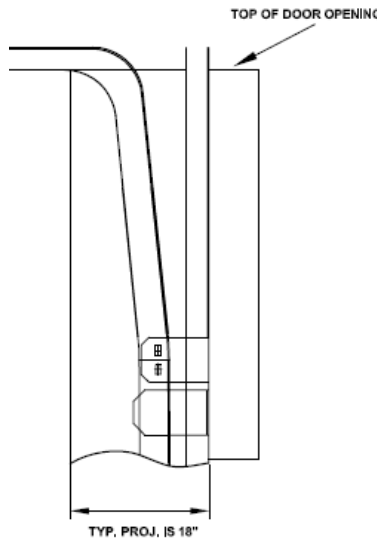
TO INSTALL A PERMA ROLL-UP DOOR IN FRONT OF AN EXISTING VERTICAL, SECTIONAL, OR OTHER DOOR

## 1) EXISTING DOOR TYPE

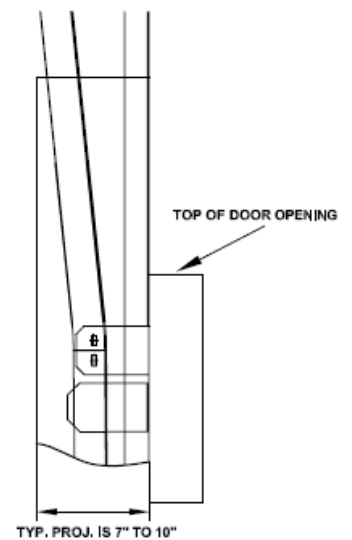
HIGH LIFT



STANDARD LIFT



VERTICAL LIFT

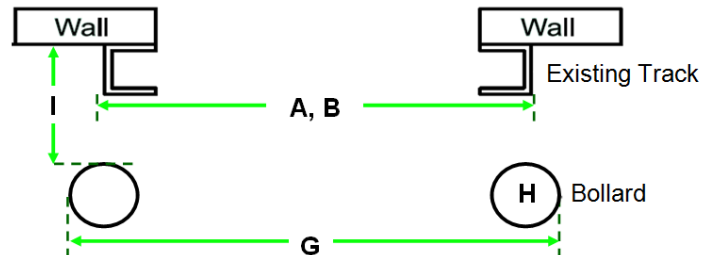


## 2) DOOR OPENING MEASUREMENT:

Wide x  High

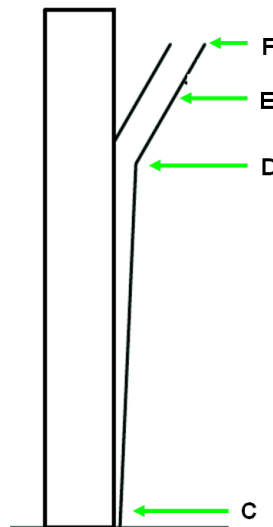
## 3) OUT-TO-OUT TRACK DIMENSIONS

A. At the bottom of the track   
B. At the top of the track



## 4) TRACK PROJECTION FROM WALL

C. At the bottom of the track   
D. At header   
E. 8 Inches above the header   
F. 18 Inches above the header



## 5) IF BOLLARDS

NOTE: Your Gateway door will project (E) + 2" or (F) + 2" out from the wall. If (I) is less than (E) + 2" or (F) + 2", please contact a Gateway Sales Rep to determine the best course of action.

G. Out-to-Out of Bollards   
H. Bollard diameter   
I. From wall to front of bollard