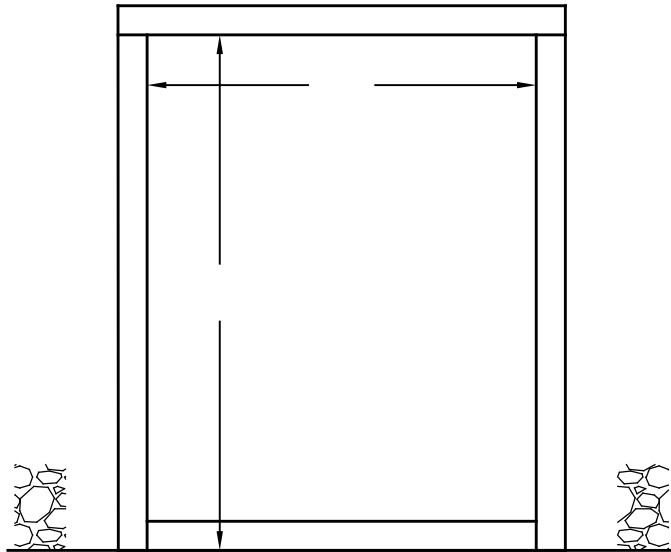
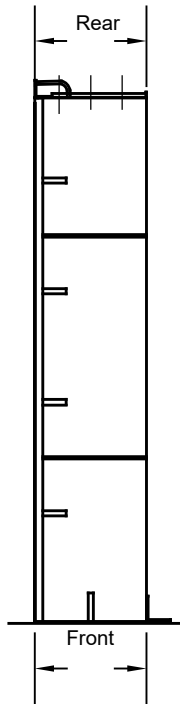


PERMA PIT SPECIFICATION SHEET

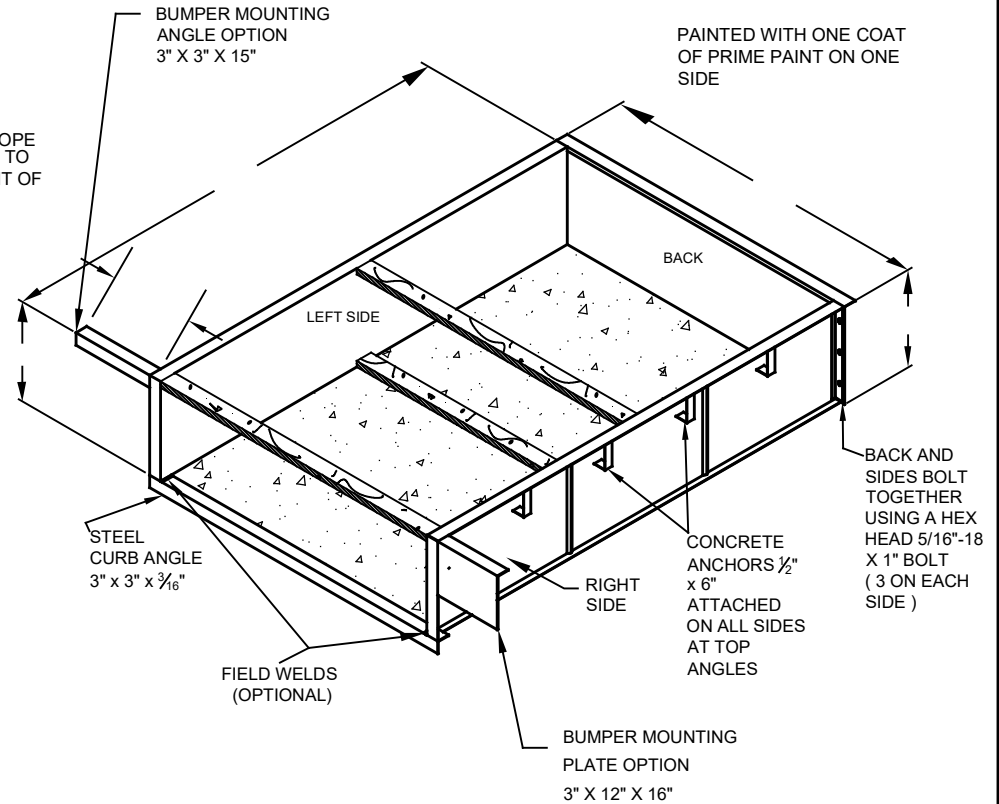
TOP VIEW



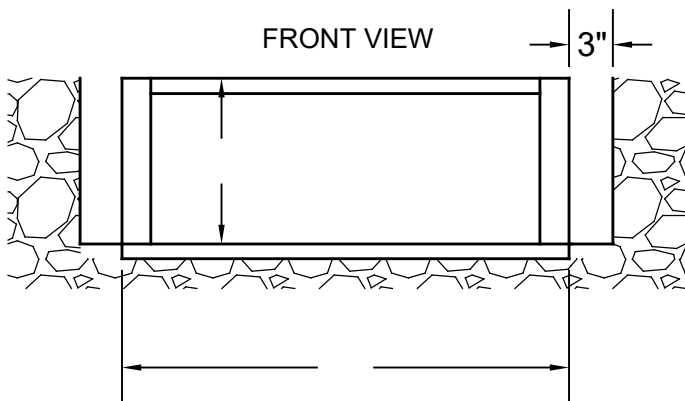
SIDE VIEW



NOTE:
PERMA PIT MADE OF 12 GA.
SHEET STEEL WITH $\frac{3}{16}$ "
FRONT AND BACK ANGLES



FRONT VIEW



QUANTITY: _____

MODEL#: _____

MECHANICAL:

HYDRAULIC:

SPECIAL INFORMATION

HEAVY DUTY OPTIONS

3" X 3" X $\frac{1}{4}$ " : FRONT: BACK: ALL:

4" X 4" X $\frac{1}{4}$ " : FRONT: BACK: ALL:

BUMPER MOUNTING OPTIONS

ANGLE - 3" X 3" X 15":

PLATE - 3" X 12" X 16":

 **PERMA TECH, INC.**

JOB:

DEALER:

DATE:

CONTACT:

QUOTE #:

APPROVED BY SIGNATURE: