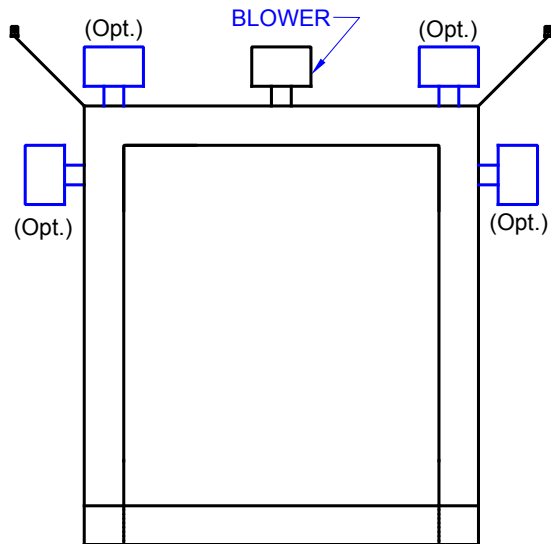
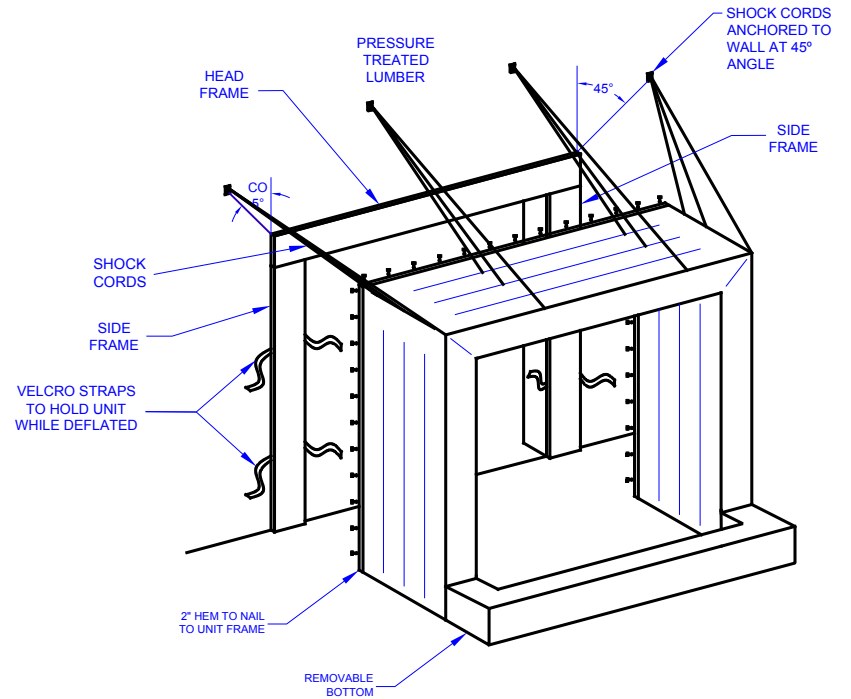
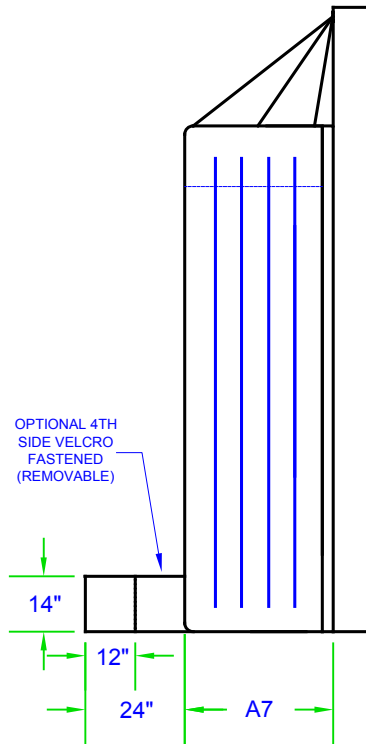
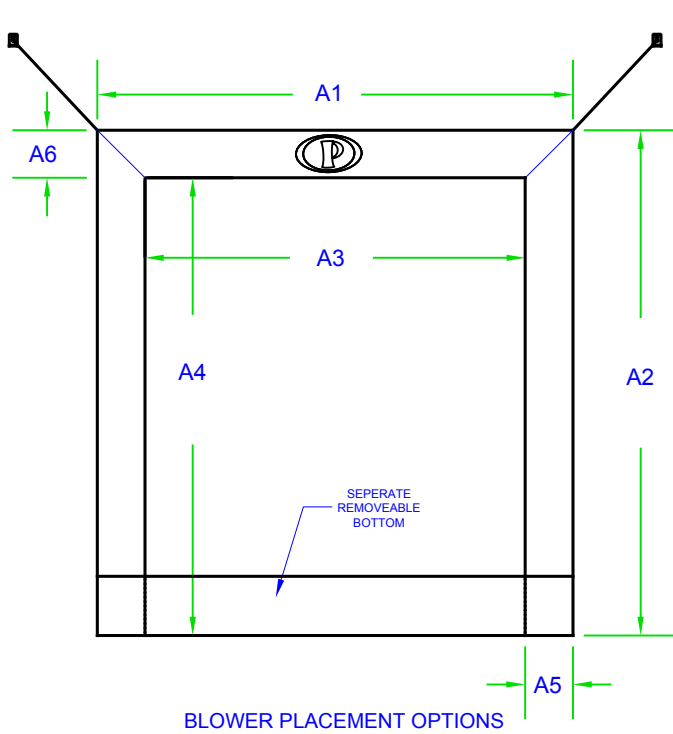



PERMA INFLATABLE MRI SHELTER SPECIFICATION SHEET / SHOCK CORDS



DIMENSIONS:		GENERAL INFO:	
A1 - _____	" UNIT WIDTH	QUANTITY: _____	MODEL: PERMA MRI-18-V-4-H-S
A2 - _____	" UNIT HEIGHT	DOOR SIZE: _____ WIDTH, _____ HEIGHT	
A3 - _____	" OPENING WIDTH	FABRIC: 18 oz FR, COLOR: BLACK	
A4 - _____	" OPENING HEIGHT	DOCK HEIGHT: _____	
A5 - _____	" BACKBOARD WIDTH SIDE	 PERMA TECH, INC. 363 HAMBURG STREET • BUFFALO, NY 14204 (716) 854-0707 • 1-800-DOC-SEAL www.permatechinc.com	
A6 - _____	" BACKBOARD WIDTH HEADER		
A7 - _____	" PROJECTION		
SPECIAL INFORMATION		JOB:	
		DEALER:	
		CONTACT:	ORDER #:
		APPROVED BY SIGNATURE:	DRAWN BY: J.ZERNICKEL
			DATE: 2/6/2020