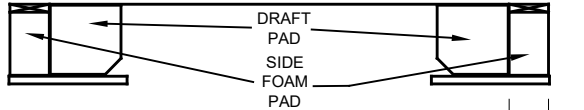
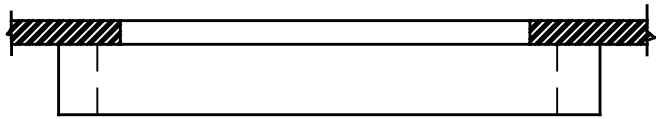
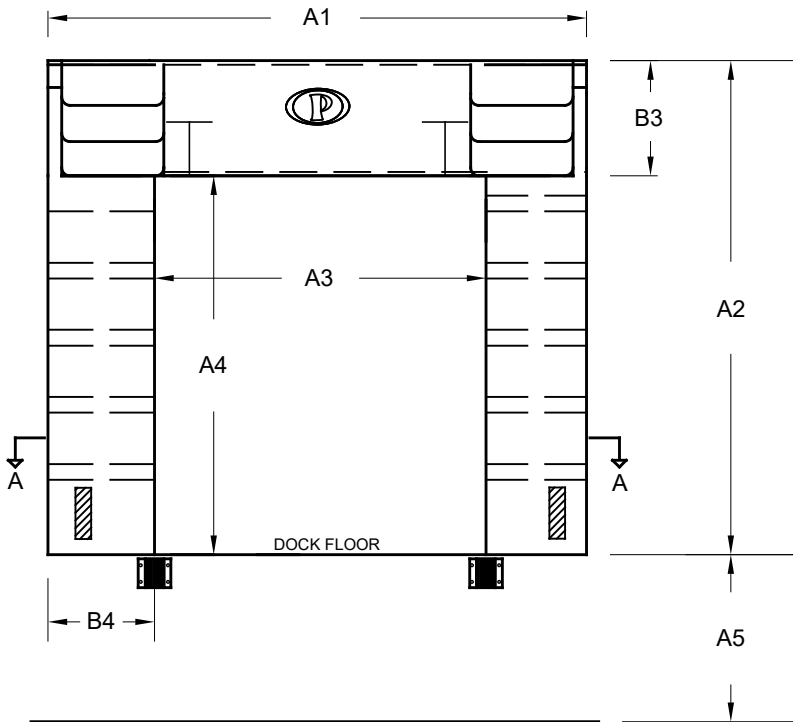
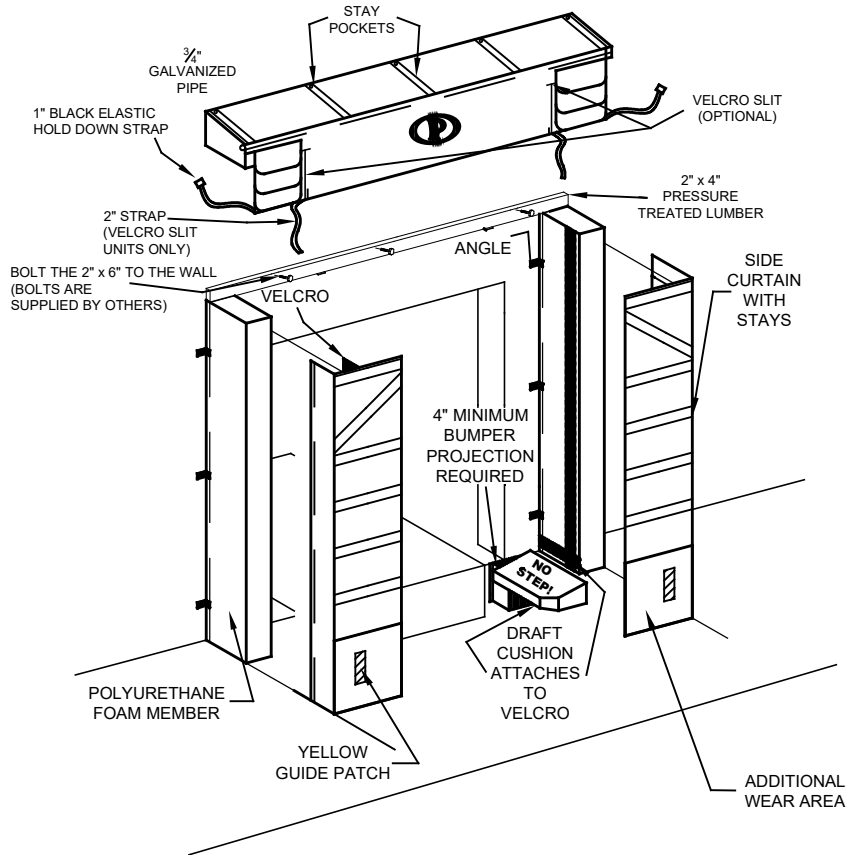
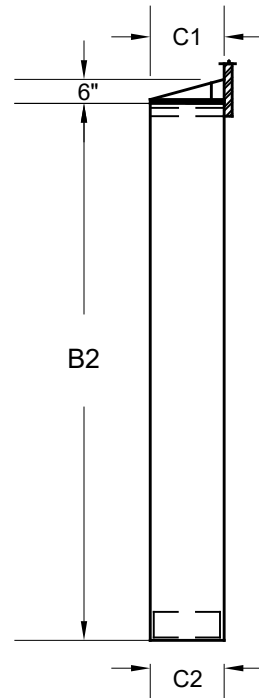


PS90 SENTINEL - SOFT SIDED SHELTER WITH NF CURTAIN SPECIFICATION SHEET



SECTION A-A



DIMENSIONS:		GENERAL INFO	
A1 - _____	" UNIT WIDTH	QUANTITY: _____	PART #: PS90-2240-V-NF
A2 - _____	" UNIT HEIGHT	MODEL: SENTINEL	BUMPER PROJ: _____
A3 - _____	" OPENING WIDTH	DOOR SIZE: _____	WIDTH, _____
A4 - _____	" OPENING HEIGHT	SIDE PAD FABRIC: _____	COLOR: _____
A5 - _____	" DOCK HEIGHT	FACE FABRIC: _____	COLOR: _____
B1 - _____	" SIDE PAD WIDTH	APPROACH: <input type="checkbox"/> LEVEL	<input type="checkbox"/> DECLINE <input type="checkbox"/> INCLINE
B2 - _____	" SIDE PAD HEIGHT	_____ " DIFFERENCE IN 50'-0"	
B3 - _____	" CURTAIN DROP	OPTIONS:	
B4 - _____	" SIDE CURTAIN WIDTH	<input type="checkbox"/> VELCRO SLIT: _____	HEIGHT
C1 - _____	" TOP PROJ.	<input type="checkbox"/> 3 ROPE PULL-UP	
C2 - _____	" BOTTOM PROJ.	UNIT SUPPORT FRAME: <input type="checkbox"/> WOOD	<input type="checkbox"/> STEEL
SPECIAL INFORMATION		PERMA TECH, INC.	
		363 HAMBURG STREET • BUFFALO, NY 14204	
		(716) 854-0707 • 1-800-DOC-SEAL	
		JOB: _____	
DEALER: _____		DATE: _____	
CONTACT: _____		QUOTE #: _____	
APPROVED BY SIGNATURE: _____		DRAWN BY: J.ZERNICKEL	DATE: 4/22/2020