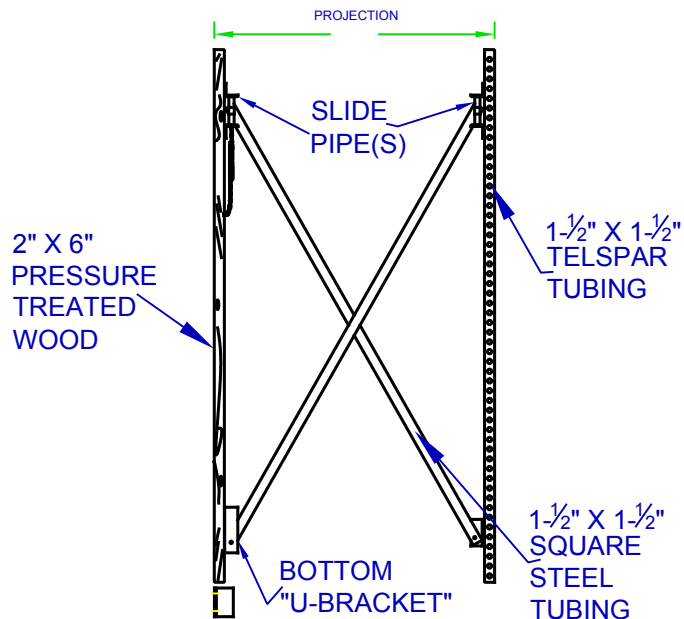
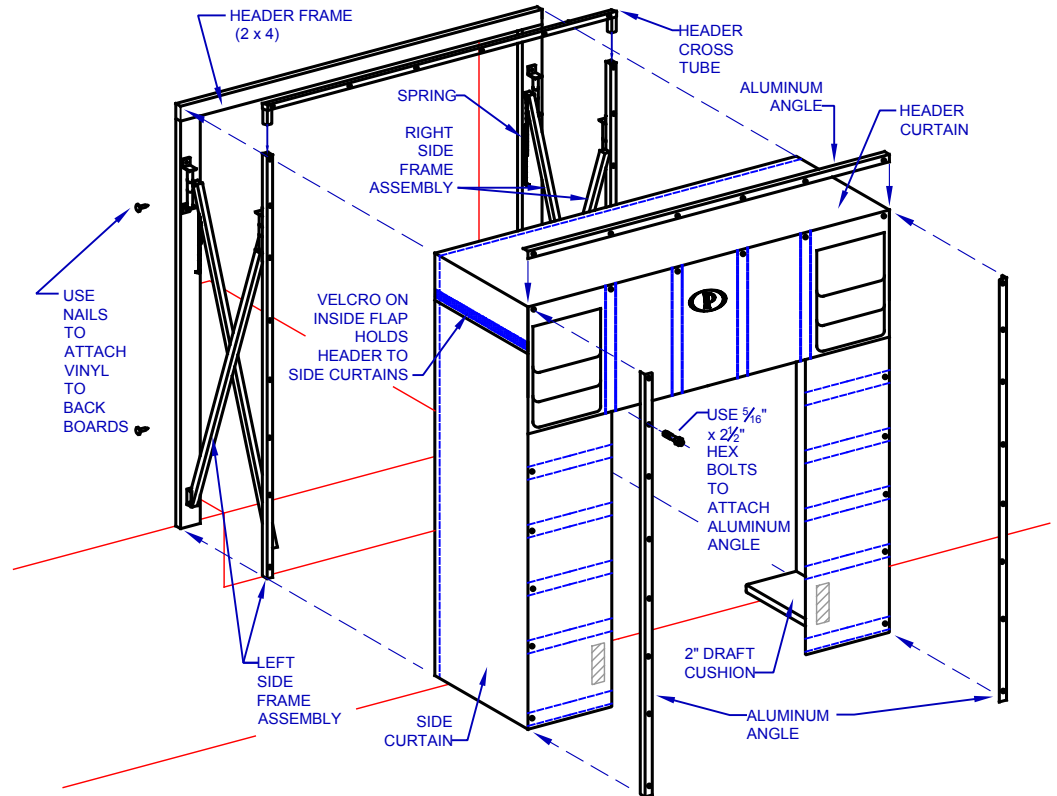
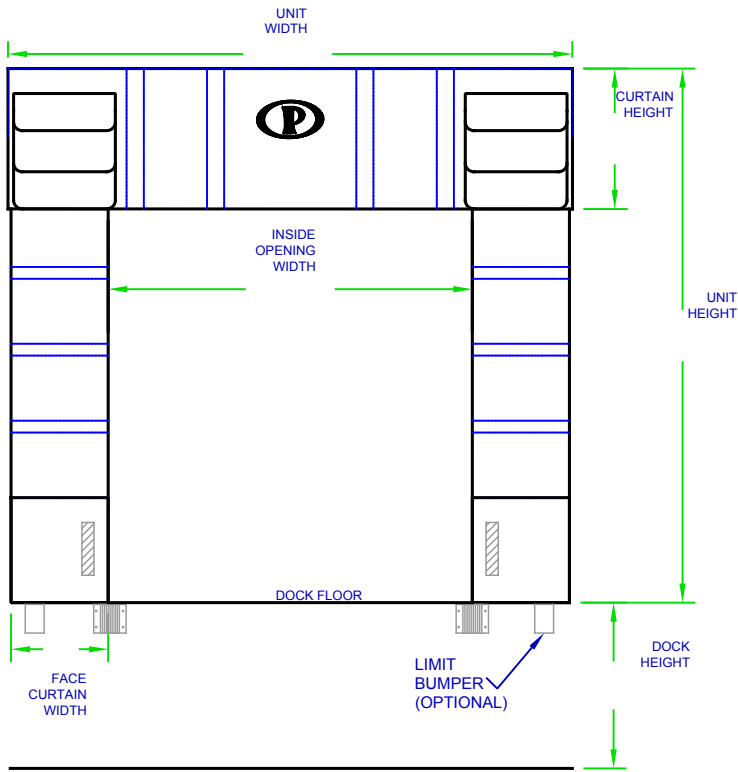


# PCS-5000 COLLAPSIBLE SHELTER SPECIFICATION SHEET



QUANTITY: \_\_\_\_\_, MODEL: \_\_\_\_\_  
 UNIT SIZE: \_\_\_\_\_ WIDTH, \_\_\_\_\_ HEIGHT  
 HEAD CURTAIN: \_\_\_\_\_ WIDTH, \_\_\_\_\_ DROP  
 INSIDE OPENING WIDTH: \_\_\_\_\_  
 PROJECTION: \_\_\_\_\_ TOP, \_\_\_\_\_ BOTTOM  
 FABRIC: \_\_\_\_\_, COLOR: \_\_\_\_\_

DOOR SIZE: \_\_\_\_\_ WIDTH, \_\_\_\_\_ HEIGHT  
 DOCK HEIGHT: \_\_\_\_\_, BUMPER PROJECTION: \_\_\_\_\_  
 APPROACH:  LEVEL  DECLINE  INCLINE  
 \_\_\_\_\_" DIFFERENCE IN 50'-0"

OPTIONS:  
 UNIT SUPPORT FRAME:  WOOD  STEEL

**SPECIAL INFORMATION**


**PERMA TECH, INC.**  
 363 HAMBURG STREET • BUFFALO, NY 14204  
 (716) 854-0707 • 1-800-DOC-SEAL  
[www.permatechinc.com](http://www.permatechinc.com)

JOB: \_\_\_\_\_

DEALER: \_\_\_\_\_

CONTACT: \_\_\_\_\_ QUOTE #: \_\_\_\_\_

APPROVED BY SIGNATURE: \_\_\_\_\_