



**Perma Tech, Inc.**

*"Your Single Source for ALL Your Loading Dock Needs"*

# **Collapsible X-Frame Dock Shelter**

## ***INSTALLATION INSTRUCTIONS***

**NOTE:**

***CHECK SHIPPING CONTAINERS BEFORE RELEASING CARRIER.  
NOTIFY CARRIER IMMEDIATELY UPON DISCOVERING ANY CONCEALED DAMAGE.***

**WARNING :** Do not install this product unless you have read and understand the warnings and installation instructions contained in the manual.  
Failure to do so could result in serious injury or death.



Perma Tech Inc. | 363 Hamburg Street | Buffalo, NY 14204  
TF: 1.800.362.7325 | P: 716.854.0707 | F: 716.854.0774

[www.PermaTechInc.com](http://www.PermaTechInc.com)

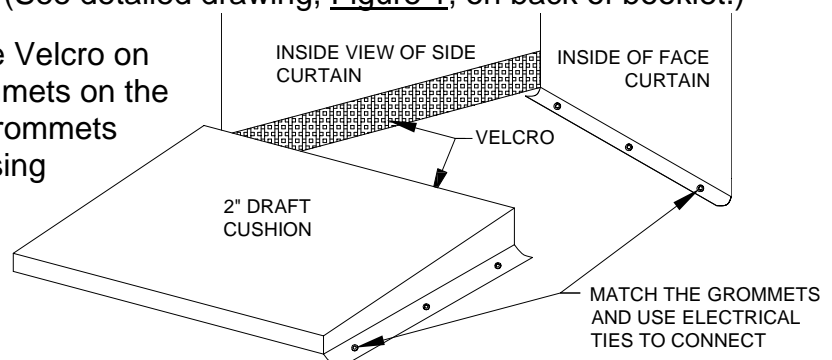
# INSTALLATION INSTRUCTIONS

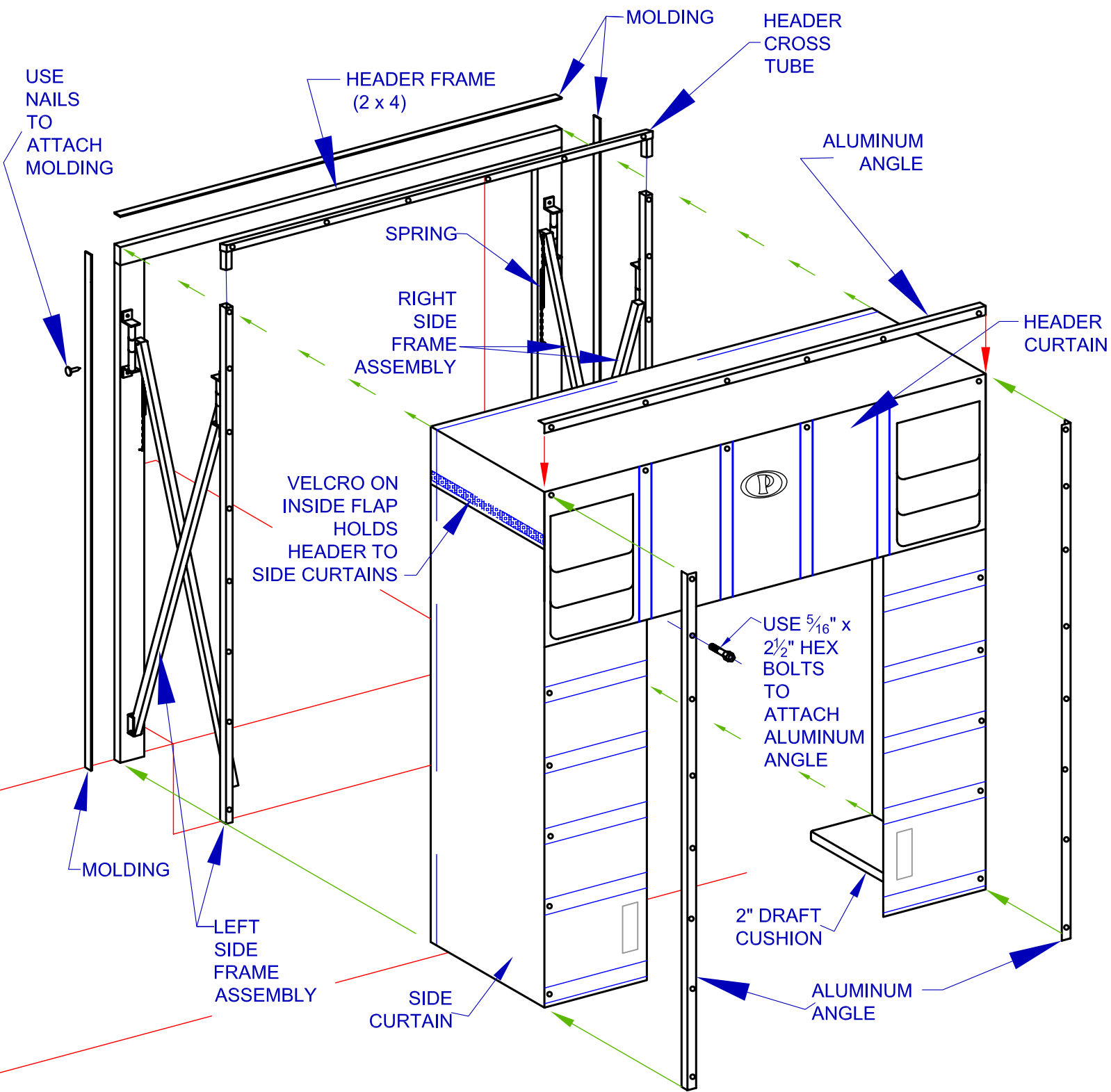
## COLLAPSIBLE SHELTER

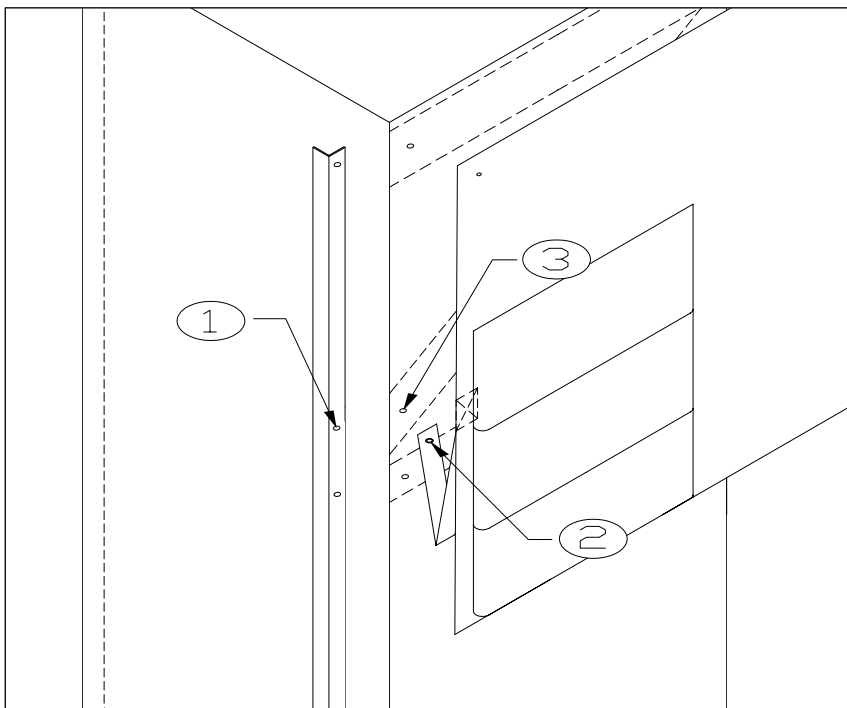
### SERIES 5000

NOTE: Check shipping containers before releasing carrier. Notify carrier immediately upon discovering any concealed damage.

1. Measure the length of the side frames (2 x 6).
2. Measure the length of the header frame (2 x 6 with optional taper). Find and mark the centerline.
3. Measure the door lintel and mark the centerline.
4. Install side frames (2 x 6), making sure they are plumb. (Keep unit retracted for ease of handling.)
5. Match the centerlines of the door lintel and header 2 x 6 and install the header 2 x 6 above the side frames.
6. The header cross tubing (with 2 ½" legs) should now be inserted into the tops of side frame tubing.
7. Remove aluminum angles from side frame for replacement when curtains are installed.
8. SPRING ADJUSTMENT: Open shelter to maximum extension. Unhook the spring from the chain attached to the slide pipe. Move the spring hook up the amount of chain links you desire to apply more outward pressure on the unit.
9. Top and side projection curtains are three separate units. Unpack the side curtains and attach to side frame tubing using  $\frac{5}{16}$ " x 2 ½" hex bolts with nuts and washers on the back. The grommet holes in the curtain line up with the holes in the aluminum angle. Hook the side curtain shock cords to the center of header tubing.
10. Nail the hemmed edge of side curtains to the wooden side frames going from top to bottom. Use just enough nails to support the curtain (approx. 5 or 6).
11. Unpack the header curtain and drape over frame tubing. Beginning at the center and working out, nail the hemmed edge of the curtain to the wooden head frame (using just enough nails to hold the curtain in place), and then nail the molding strip to the frame (use one every 12" to 18").
12. Bolt through the holes in the aluminum angle, the header curtain grommet holes, and the frame tubing using the provided hex head bolts ( $\frac{5}{16}$ " x 2 ½"). Connect the Velcro strips on both sides.
13. Nail the side frame molding strips to the wooden frames (use one nail every 12" to 18"). The molding will cover the header Velcro attachment.
14. In order to attach the header wind restraint, the strap on each side of header, remove one of the bolts near the top of the side aluminum angles. Then, slip the wind strap underneath the angle and re-bolt through the wind strap and the side curtain. (See detailed drawing, Figure 1, on back of booklet.)
15. Attach the 2 inch "NO STEP" cushions to the Velcro on the side projection curtains. Match the grommets on the flap on the inside of the face curtain to the grommets on the flap of the draft cushion and attach using the provided electrical ties (see drawing on right). Nail the attached shock cord to the corresponding wooden frame (2 x 6).
16. Caulk around entire unit.







**Figure 1:** Header wind strap attachment detail:

- 1) The hex bolt goes into the aluminum angle first. This drawing shows the predrilled holes in the angle.
- 2) The hex bolt goes through the header wind strap second.
- 3) The hex bolt then goes through the side curtain and is tightened with a nut and washer on the other side of the frame tubing.

Use  $\frac{5}{16}$ " x 2  $\frac{1}{2}$ " Hex head bolts with nuts and washers.

## LIMITED PRODUCT WARRANTY

Perma Tech, Inc. warrants the material and workmanship in any product manufactured by Perma Tech, Inc. for a period of one year from the date of shipment to customer if properly installed, maintained and used. This limited warranty shall not apply in the event of misuse or modification by customer or to materials not manufactured and installed by Perma Tech, Inc.

In the event of any defects covered by this warranty, Perma Tech, Inc. will remedy such defects by repairing or replacing at its expense any defective products or, at its option, refunding the original purchase price excluding installation, freight and tax. This shall be customer's exclusive remedy for all claims whether based on warranty, contract, negligence, strict liability or other legal theory.

Written notice of any claim must be made within the warranty period by first class mail or personal delivery to a suitable person at Perma Tech's office at 363 Hamburg Street, Buffalo, New York 14204. Notice of delivery by e-mail or fax is not acceptable.

PERMA TECH, INC. EXPRESSLY DISCLAIMS AND CUSTOMER WAIVES ALL IMPLIED WARRANTIES INCLUDING WITHOUT LIMITATION, ANY IMPLIED WARRANTIES OF MERCHANTABILITY OR FITNESS FOR A PARTICULAR PURPOSE. PERMA TECH, INC. SHALL NOT IN ANY EVENT BE LIABLE FOR AND CUSTOMER WAIVES ANY INCIDENTAL, CONSEQUENTIAL OR PUNITIVE DAMAGES OF ANY KIND TO CUSTOMER OR ANY THIRD PARTY, INCLUDING WITHOUT LIMITATION DAMAGES FOR LOST PROFITS, EVEN IF ADVISED OF SAME.