



Perma Tech, Inc.

"Your Single Source for ALL Your Loading Dock Needs"

The Sentinel - PS90

INSTALLATION INSTRUCTIONS

NOTE:

**CHECK SHIPPING CONTAINERS BEFORE RELEASING CARRIER.
NOTIFY CARRIER IMMEDIATELY UPON DISCOVERING ANY CONCEALED DAMAGE.**

WARNING : Do not install this product unless you have read and understand the warnings and installation instructions contained in the manual.
Failure to do so could result in serious injury or death.

SALES & SERVICE BY:



Perma Tech, Inc.

Sales@PermaTechInc.com
363 Hamburg Street, Buffalo, NY 14204
www.PermaTechInc.com

Toll Free: 800-362-7325
Local: 716-854-0707
Fax: 716-854-0774

INSTALLATION INSTRUCTIONS

PERMA PS-90 SOFT SHELTER WITH F-STYLE CURTAIN

NOTE: Check shipping containers before releasing carrier. Notify carrier immediately upon discovering any concealed damage.

A. At least 4" of protective bumper is required with this unit.

B. All pads must be mounted with air/water release grommets or screens facing down.

1. Find the centerline of the door opening and mark the door opening top and bottom. Use the 2" x 6" to find the unit width and mark the wall, right and left, for the correct positions of the side pads.
2. Find the side pad length. Mark the building wall for this height from the dock floor. This mark is the location of the *bottom* of the 2" x 6".
3. Match the centerline marks and the height marks. Bolt the 2" x 6" to the wall (bolts are supplied by others). Make sure the *bottom* of the 2" x 6" is flush with the height marks.
4. Fasten side pads to wall, making sure they are plumb and even with the *bottom* of the 2" x 6".

5. Attach the side curtain with the Velcro strips to match the Velcro strips on the inside and outside of the side pads (Figure 2).
6. Attach the cushions to the inside Velcro of the side pads. Nail the inside tab on the cushion to the backboard of the side pads, then attach the outside tab on the cushion to the side curtains through the grommet with the bolt supplied.

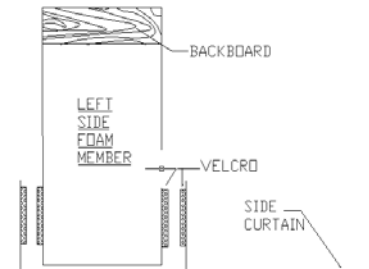
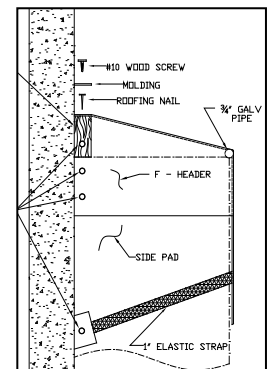
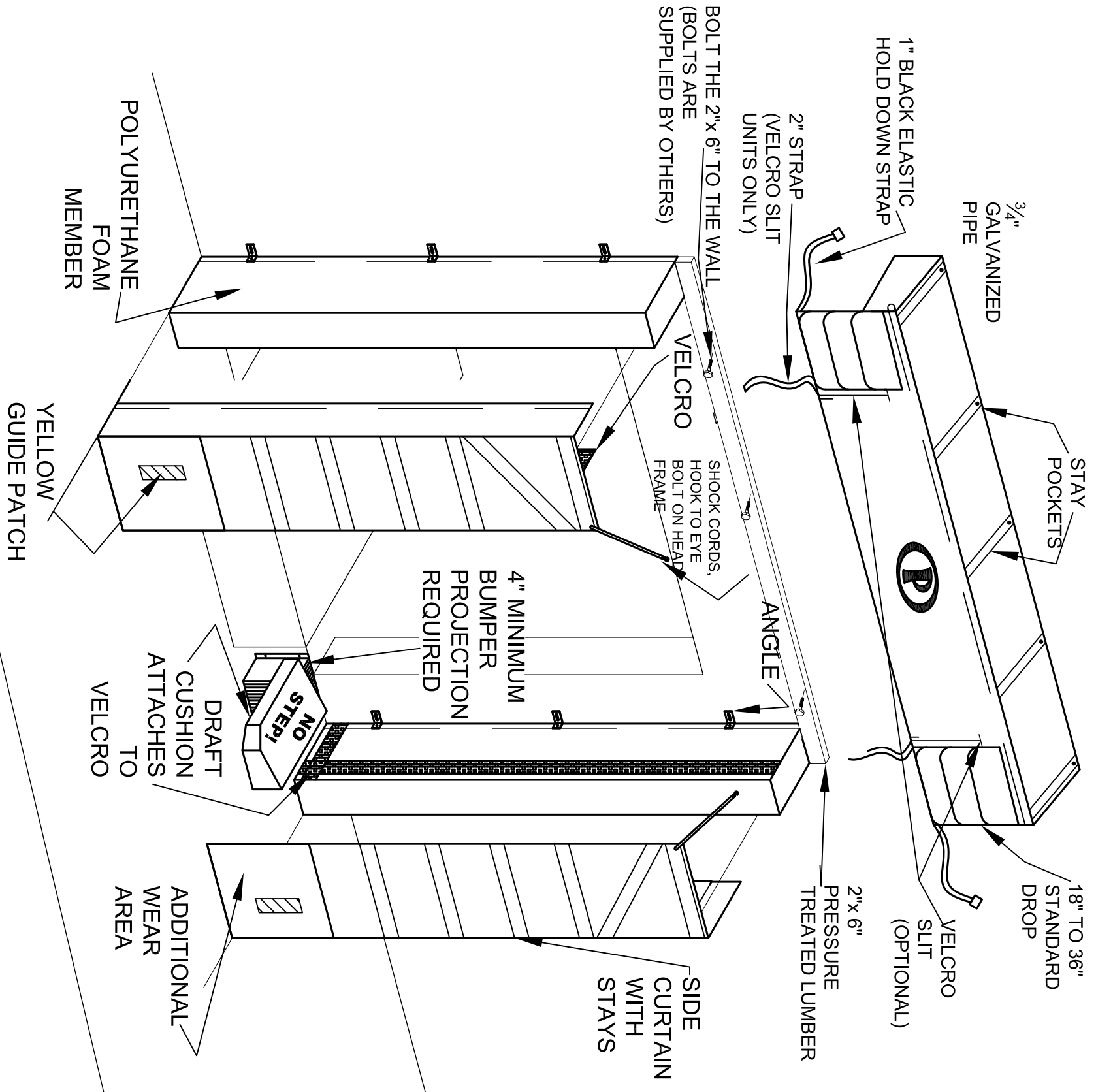


Figure 2

7. Match the centerline marks and nail the F-header curtain across the top of the 2" x 6". Using the provided wood screws, fasten stays to the 2" x 6" through the grommets in the header.
8. Attach F-header end caps by nailing through hemmed edge into the side pad backboards with #10 slotted hex washer head metal screws and fender washers (3 each side). Also attach the 1" elastic strap by nailing into side pad backboards (NOTE: Attach at an angle, preferably 45°).
9. If F-header has Velcro slits, attach 2" strap to inside edge of the side pad backboard with roofing nails.
10. Completed units must be caulked around the entire outside edge.





3/4" GALVANIZED PIPE

STAY POCKETS

18" TO 36" STANDARD DROP

VELCRO SLIT (OPTIONAL)

2"x6" PRESSURE TREATED LUMBER

2" STRAP (VELCRO SLIT UNITS ONLY)

1" BLACK ELASTIC HOLD DOWN STRAP

BOLT THE 2"x6" TO THE WALL (BOLTS ARE SUPPLIED BY OTHERS)

SHOCK CORDS, HOOK TO EYE BOLT ON HEAD FRAME

ANGLE

POLYURETHANE FOAM MEMBER

VELCRO

4" MINIMUM BUMPER PROJECTION REQUIRED

DRAFT CUSHION ATTACHES TO VELCRO

NO STEP!

SIDE CURTAIN WITH STAYS

ADDITIONAL WEAR AREA

YELLOW GUIDE PATCH

LIMITED PRODUCT WARRANTY

Perma Tech, Inc. warrants the material and workmanship in any product manufactured by Perma Tech, Inc. for a period of one year from the date of shipment to customer if properly installed, maintained and used. This limited warranty shall not apply in the event of misuse or modification by customer or to materials not manufactured and installed by Perma Tech, Inc.

In the event of any defects covered by this warranty, Perma Tech, Inc. will remedy such defects by repairing or replacing at its expense any defective products or, at its option, refunding the original purchase price excluding installation, freight and tax. This shall be customer's exclusive remedy for all claims whether based on warranty, contract, negligence, strict liability or other legal theory.

Written notice of any claim must be made within the warranty period by first class mail or personal delivery to a suitable person at Perma Tech's office at 363 Hamburg Street, Buffalo, New York 14204. Notice of delivery by e-mail or fax is not acceptable.

PERMA TECH, INC. EXPRESSLY DISCLAIMS AND CUSTOMER WAIVES ALL IMPLIED WARRANTIES INCLUDING WITHOUT LIMITATION, ANY IMPLIED WARRANTIES OF MERCHANTABILITY OR FITNESS FOR A PARTICULAR PURPOSE. PERMA TECH, INC. SHALL NOT IN ANY EVENT BE LIABLE FOR AND CUSTOMER WAIVES ANY INCIDENTAL, CONSEQUENTIAL OR PUNITIVE DAMAGES OF ANY KIND TO CUSTOMER OR ANY THIRD PARTY, INCLUDING WITHOUT LIMITATION DAMAGES FOR LOST PROFITS, EVEN IF ADVISED OF SAME.