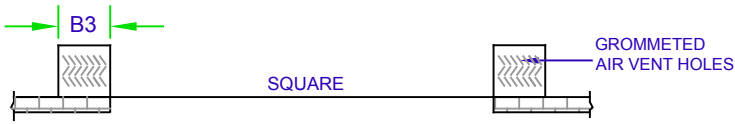
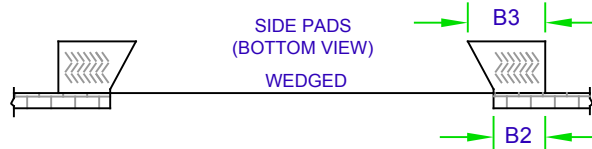
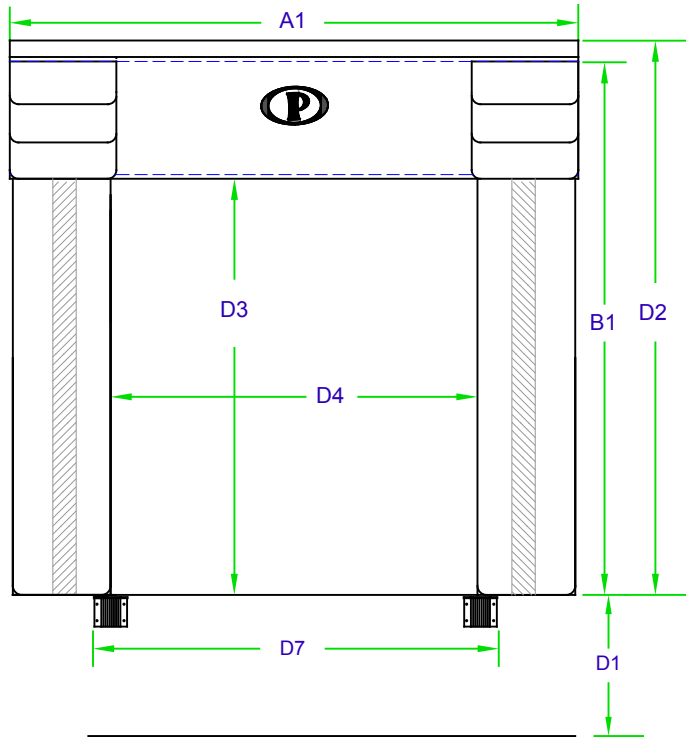
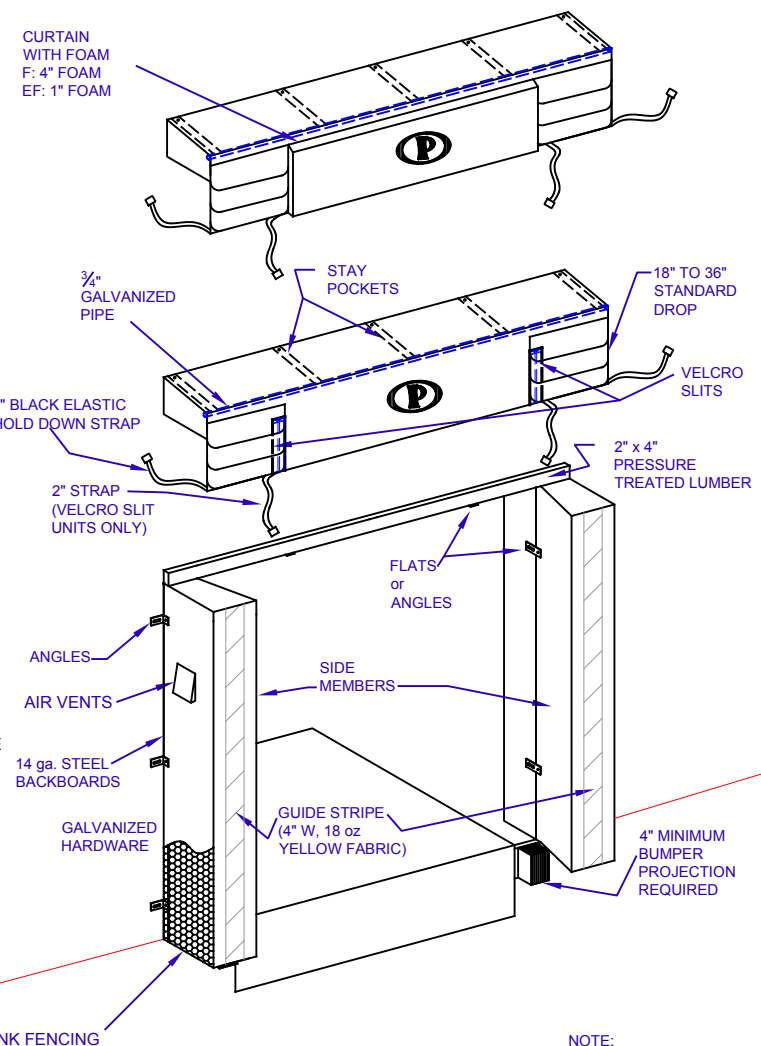
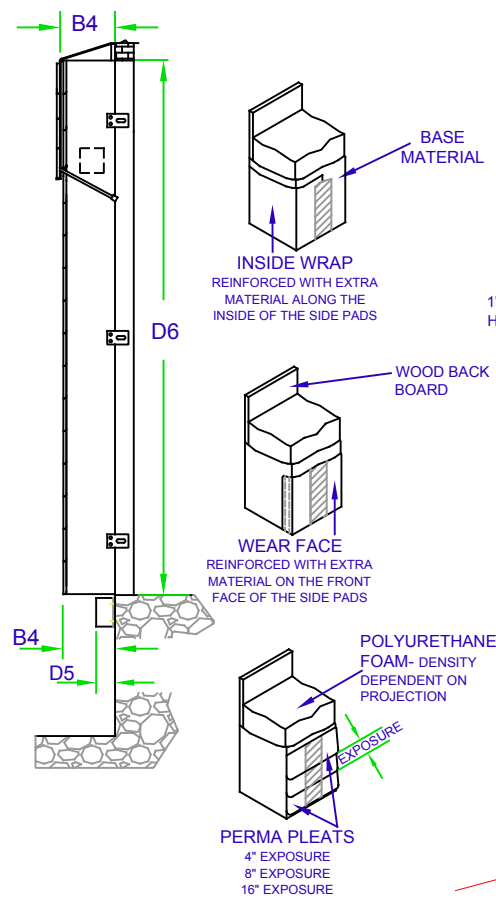
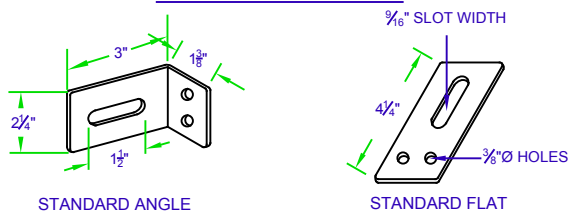


PERMA PROTECTOR DOCK SEAL: F-SERIES HEAD CURTAIN

(F: 4" FOAM, EF: 1" FOAM, NF: NO FOAM)




GALVANIZED MOUNTING BRACKETS



DESIGNED FOR DOORS 9' OR HIGHER

NOTE: LOCATION OF ANGLES & FLATS DETERMINED BY INSTALLER TO SUIT WALL CONFIGURATIONS.

DIMS. A1- _____ " LENGTH CURTAIN DROP: _____ " VELCRO SLITS: _____ " 3 ROPE PULL-UP: <input type="checkbox"/>		HEAD CURTAIN DATA: MATERIAL- _____ PERMA PLEATS: <input type="checkbox"/> PLEAT MATERIAL- _____ EXPOSURE: _____ " CURTAIN TYPE: F: <input type="checkbox"/> EF: <input type="checkbox"/> NF: <input type="checkbox"/>		GENERAL INFO: APPROACH- DECLINE: <input type="checkbox"/> INCLINE: <input type="checkbox"/> LEVEL: <input type="checkbox"/> D1- _____ " DOCK HEIGHT FROM GROUND D2- _____ " ENTIRE UNIT HEIGHT D3- _____ " INSIDE OPENING HEIGHT D4- _____ " INSIDE OPENING WIDTH D5- _____ " BUMPER PROJ. D6- _____ " DOOR HEIGHT D7- _____ " DOOR WIDTH			
DIMS. B1- _____ " LENGTH B2- _____ " WIDTH AT REAR B3- _____ " WIDTH AT FACE B4- _____ " PROJ. AT BOTTOM B5- _____ " PROJ. AT TOP		SIDE PAD DATA: MATERIAL- _____ WEAR FACE: <input type="checkbox"/> INSIDE WRAP: <input type="checkbox"/> PERMA PLEATS: <input type="checkbox"/> PLEAT MATERIAL- _____ EXPOSURE- _____ "		<div style="text-align: center;">  PERMA TECH, INC. 363 HAMBURG STREET • BUFFALO, NY 14204 (716) 854-0707 • 1-800-DOC-SEAL www.permatechinc.com </div>			
SPECIAL INFORMATION:						JOB: _____	
DEALER: _____						DATE: _____	
CONTACT: _____				QUOTE #: _____			
APPROVED BY SIGNATURE: _____							