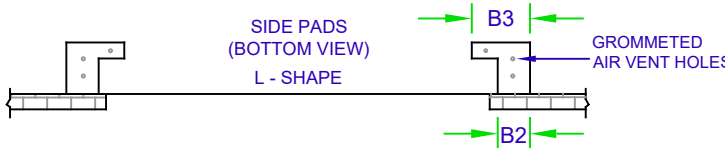
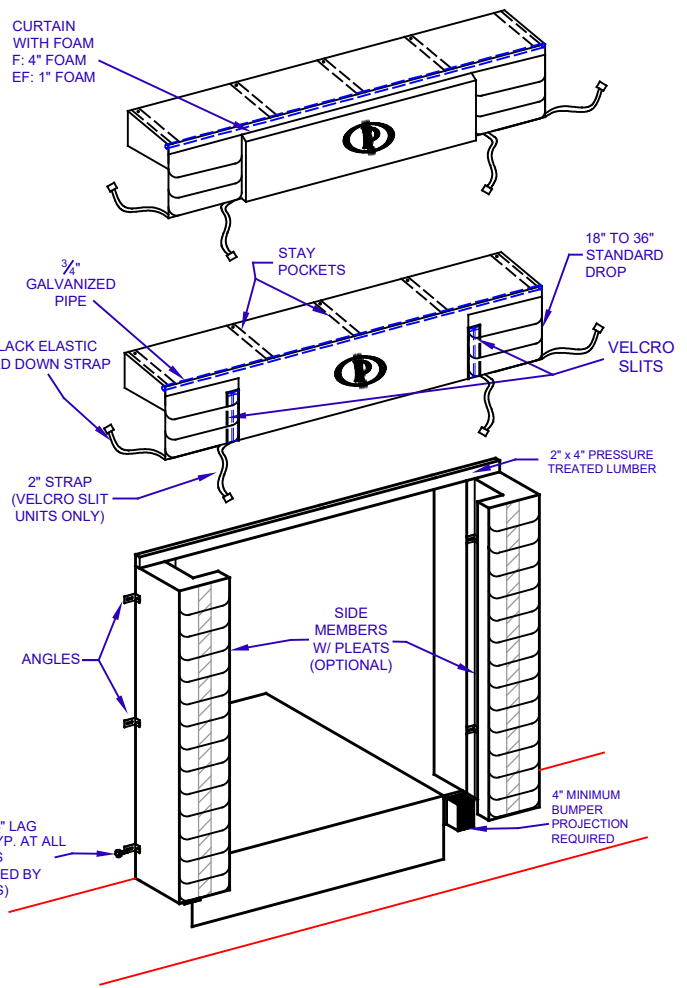
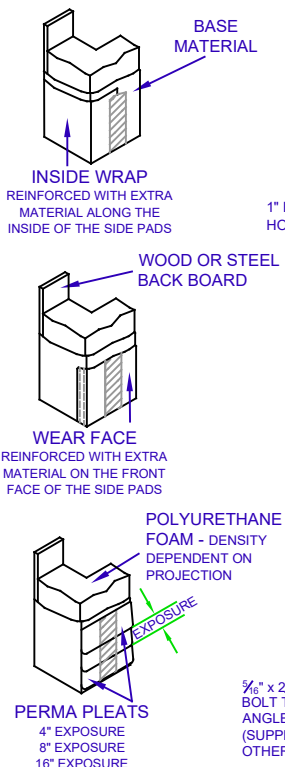
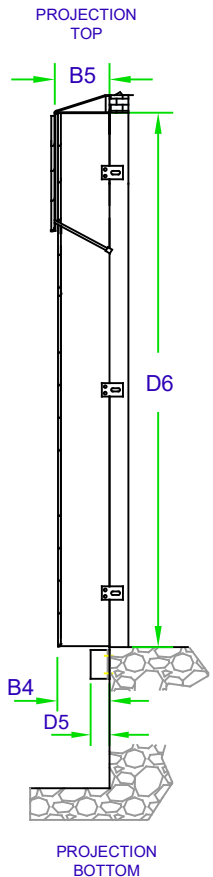
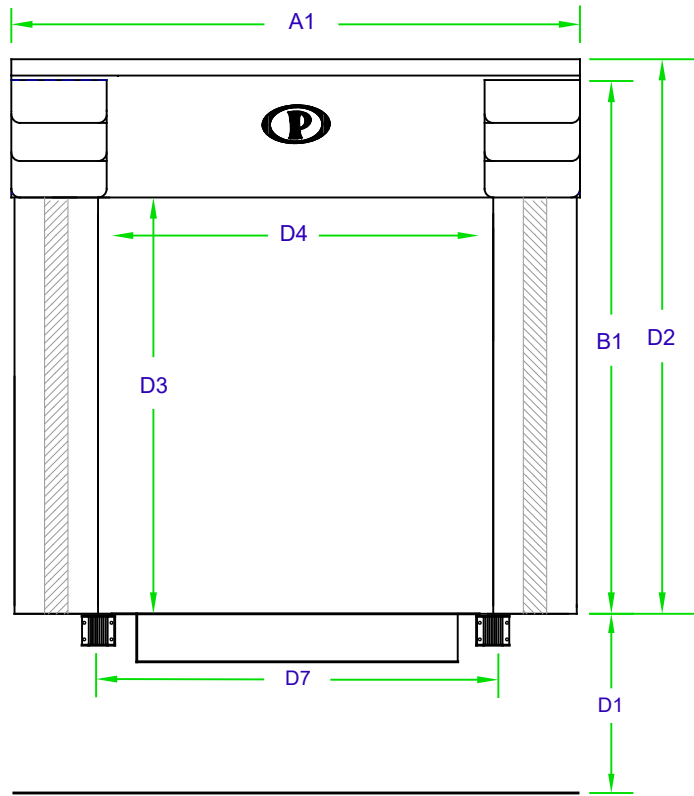
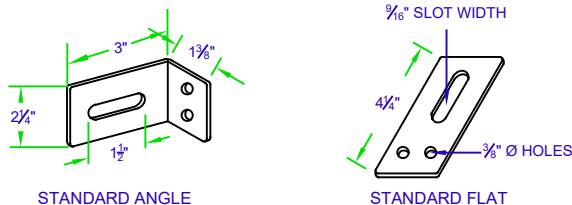


P-90 "L - PAD" DOCK SEAL: F - SERIES CURTAIN

(F: 4" FOAM, EF: 1" FOAM, NF: NO FOAM)



GALVANIZED MOUNTING BRACKETS



DETERMINED BY INSTALLER TO SUIT WALL CONFIGURATIONS

DIMS.		HEAD CURTAIN DATA:	
A1 - _____	" LENGTH	MATERIAL - _____	
CURTAIN DROP: _____	"	PERMA PLEATS: <input type="checkbox"/>	
VELCRO SLITS: _____	"	PLEAT MATERIAL - _____	
B5 - _____	" PROJECTION	EXPOSURE - _____	
3 ROPE PULL-UP:		CURTAIN TYPE: F: <input type="checkbox"/> EF: <input type="checkbox"/> NF: <input type="checkbox"/>	
DIMS.		SIDE PAD DATA:	
B1 - _____	" LENGTH	BACK BOARD - W: <input type="checkbox"/> S: <input type="checkbox"/>	
B2 - _____	" WIDTH AT REAR	MATERIAL - _____	
B3 - _____	" WIDTH AT FACE	WEAR FACE: <input type="checkbox"/>	
B4 - _____	" PROJ. AT BOTTOM	INSIDE WRAP: <input type="checkbox"/>	
B5 - _____	" PROJ. AT TOP	PERMA PLEATS: <input type="checkbox"/>	
		PLEAT MATERIAL - _____	
		EXPOSURE - _____	
SPECIAL INFORMATION:			

DIMS.		GENERAL INFO:	
D1 - _____	" DOCK HEIGHT FROM GROUND	APPROACH - DECLINE: <input type="checkbox"/> INCLINE: <input type="checkbox"/> LEVEL: <input type="checkbox"/>	
D2 - _____	" ENTIRE UNIT HEIGHT	D5 - _____	" BUMPER PROJ.
D3 - _____	" INSIDE OPENING HEIGHT	D6 - _____	" DOOR HEIGHT
D4 - _____	" INSIDE OPENING WIDTH	D7 - _____	" DOOR WIDTH
		PERMA TECH, INC.	
		363 HAMBURG STREET • BUFFALO, NY 14204 (716) 854-0707 • 1-800-DOC-SEAL www.permatechinc.com	
JOB: _____			
DEALER: _____		DATE: _____	
CONTACT: _____		QUOTE #: _____	
APPROVED BY SIGNATURE: _____			