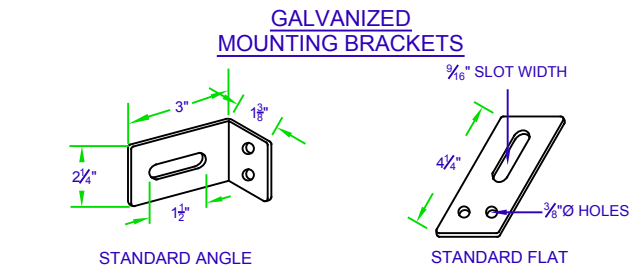
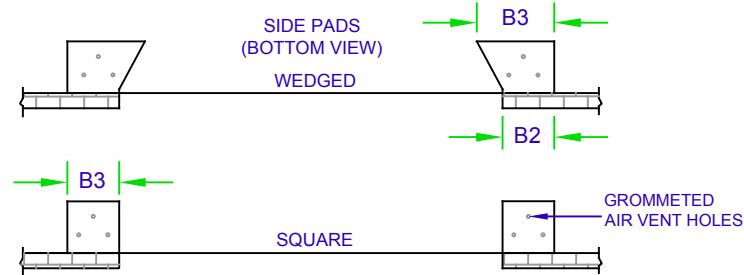
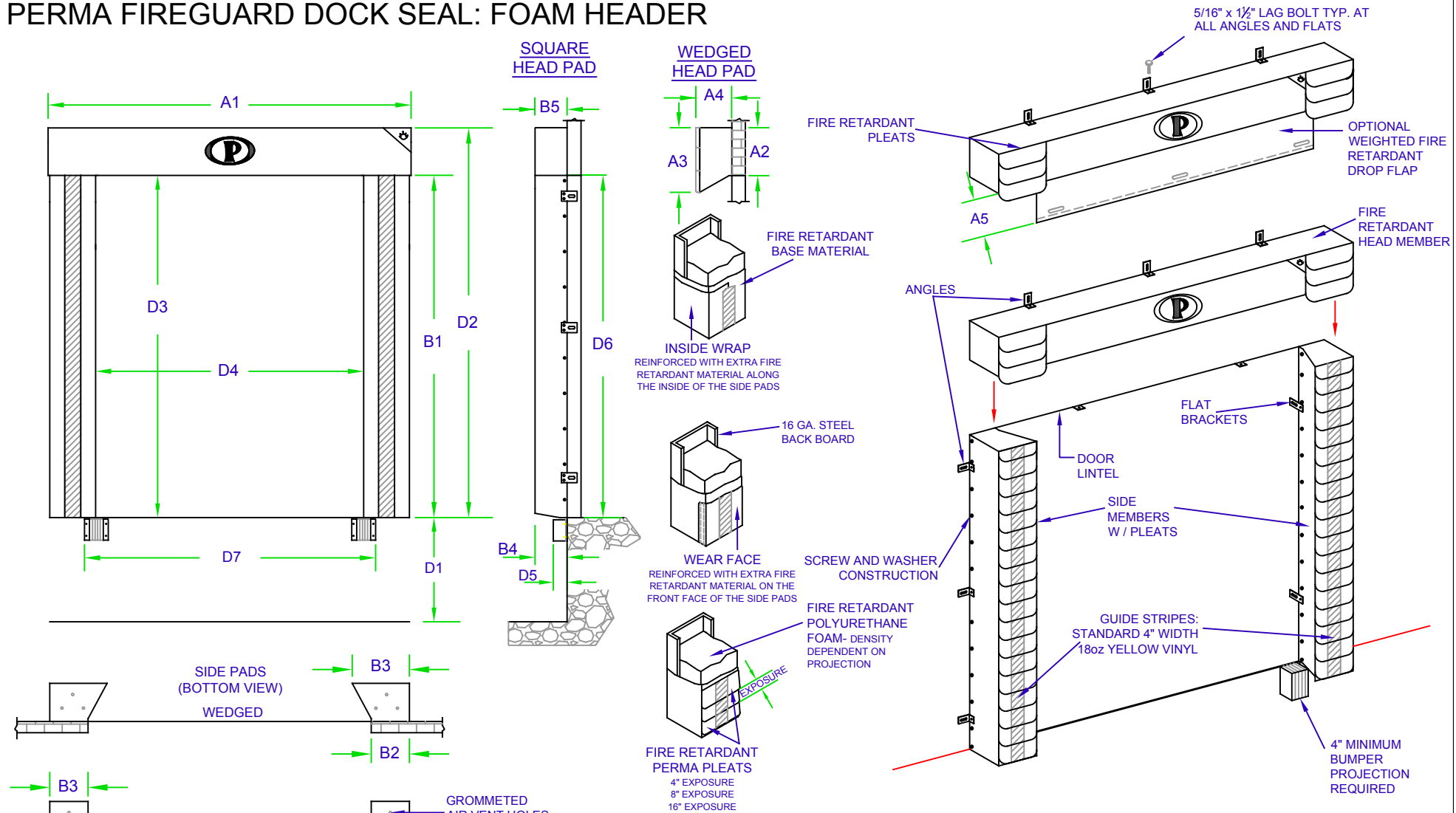


PERMA FIREGUARD DOCK SEAL: FOAM HEADER



DIMS.		HEAD PAD DATA:		GENERAL INFO:			
A1-_____	" LENGTH	MATERIAL- 40oz FR		APPROACH- DECLINE: <input type="checkbox"/> INCLINE: <input type="checkbox"/> LEVEL: <input type="checkbox"/>			
A2-_____	" HEIGHT AT REAR	DROP FLAP: <input type="checkbox"/>		D1-_____	" DOCK HEIGHT FROM GROUND		
A3-_____	" HEIGHT AT FACE	PERMA PLEATS: <input type="checkbox"/>		D2-_____	" ENTIRE UNIT HEIGHT		
A4-_____	" PROJECTION	PLEAT MATERIAL- 40oz FR		D3-_____	" INSIDE OPENING HEIGHT		
A5-_____	" DROP FLAP	EXPOSURE- _____		D4-_____	" INSIDE OPENING WIDTH		
DIMS.		SIDE PAD DATA:		D5-_____			
B1-_____	" LENGTH	MATERIAL- 40oz FR		" BUMPER PROJ.			
B2-_____	" WIDTH AT REAR	WEAR FACE: <input type="checkbox"/>		D6-_____			
B3-_____	" WIDTH AT FACE	INSIDE WRAP: <input type="checkbox"/>		" DOOR HEIGHT			
B4-_____	" PROJ. AT BOTTOM	PERMA PLEATS: <input type="checkbox"/>		D7-_____			
B5-_____	" PROJ. AT TOP	PLEAT MATERIAL- 40oz FR		" DOOR WIDTH			
		EXPOSURE- _____					
SPECIAL INFORMATION:							
JOB:				DATE:			
DEALER:				QUOTE #:			
CONTACT:				APPROVED BY SIGNATURE:			

PERMA TECH, INC.
 363 HAMBURG STREET • BUFFALO, NY 14204
 (716) 854-0707 • 1-800-DOC-SEAL
www.permatechinc.com