



**Perma Tech, Inc.**

*"Your Single Source for ALL Your Loading Dock Needs"*

# PermaDOCK-SLT

# Pit Detail

## Stationary Scissor Lift Tables

Curb angle use 3" x 3" x 0.25" (75 x 75 x 6mm) and anchor center distance of 24" (610mm) maximum.

Perimeter of pit floor must be kept level.

- E Deck width plus 2" (50mm). Additional 1" (25mm) for each lip on side "B" or "D"
- F Deck length plus 2" (50mm). Additional 1" (25mm) for each lip on side "A" or "C"
- G Lowered height + 0.25" - 0" (+ 6mm - 0)

### Power and control arrangements:

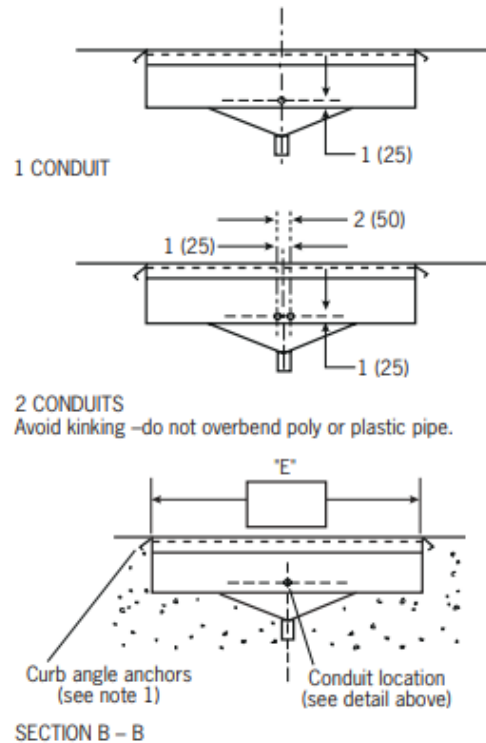
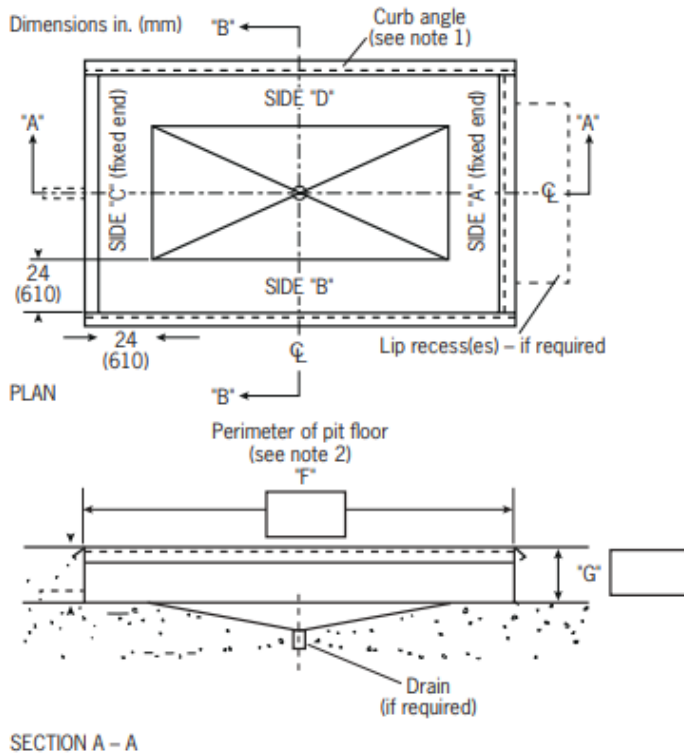
Metrodock to supply elevating dock, power pack and push button station only. All interior connecting conduit(s), wiring, disconnect and connection to power supply by others in compliance with local codes.

### Power and control conduits:

- Remote power pack and push button
  - Provide one 1.5" (40mm) conduit for hydraulic hose.
- Remote power pack, up limit switch and/or safety trip bars
  - Provide one 1" (25mm) I.D. rigid conduit for electrical wiring and one 1.5" (40mm), 75 or 80 p.s.i. poly or plastic pipe for hydraulic hose.

Model:
Voltage:
Lip Recess(es):
Lip Recess(es) on Side(s):
Customer:
Approved for Construction:
Purchase Order #:

PIT MUST BE KEPT SQUARE  
Dimension tolerances  $\pm 0.25"$  (6mm); unless stated otherwise.



Contact us today to learn more:

TF: (800) 362-7325 | P: (716) 854-0707

sales@permatechinc.com | www.permatechinc.com

