

**Figure 1: For Wide Metal Canopies**

- Oversized units may require that they be divided into two or more sections and with the requirement to be bolted together, as shown, end to end.
- Caulk the entire length of seam to seal the hood.

## **LIMITED PRODUCT WARRANTY**

Perma Tech, Inc. warrants the material and workmanship in any product manufactured by Perma Tech, Inc. for a period of one year from the date of shipment to customer if properly installed, maintained and used. This limited warranty shall not apply in the event of misuse or modification by customer or to materials not manufactured and installed by Perma Tech, Inc.

In the event of any defects covered by this warranty, Perma Tech, Inc. will remedy such defects by repairing or replacing at its expense any defective products or, at its option, refunding the original purchase price excluding installation, freight and tax. This shall be customer's exclusive remedy for all claims whether based on warranty, contract, negligence, strict liability or other legal theory.

Written notice of any claim must be made within the warranty period by first class mail or personal delivery to a suitable person at Perma Tech's office at 363 Hamburg Street, Buffalo, New York 14204. Notice of delivery by e-mail or fax is not acceptable.

**PERMA TECH, INC. EXPRESSLY DISCLAIMS AND CUSTOMER WAIVES ALL IMPLIED WARRANTIES INCLUDING WITHOUT LIMITATION, ANY IMPLIED WARRANTIES OF MERCHANTABILITY OR FITNESS FOR A PARTICULAR PURPOSE. PERMA TECH, INC. SHALL NOT IN ANY EVENT BE LIABLE FOR AND CUSTOMER WAIVES ANY INCIDENTAL, CONSEQUENTIAL OR PUNITIVE DAMAGES OF ANY KIND TO CUSTOMER OR ANY THIRD PARTY, INCLUDING WITHOUT LIMITATION DAMAGES FOR LOST PROFITS, EVEN IF ADVISED OF SAME.**



PERMA TECH, INC.

363 HAMBURG STREET  
BUFFALO, NEW YORK 14204

PHONE: (716) 854-0707

FAX: (716) 854-0774

1-800-362-7325

WWW.PERMATECHINC.COM

# METAL HOOD



## *INSTALLATION INSTRUCTIONS*

### NOTE:

CHECK SHIPPING CONTAINERS BEFORE RELEASING CARRIER.

NOTIFY CARRIER IMMEDIATELY UPON DISCOVERING ANY CONCEALED DAMAGE.

---

## **WARNING**

DO NOT INSTALL THIS PRODUCT UNLESS YOU READ AND UNDERSTAND THE WARNINGS AND INSTALLATION INSTRUCTIONS CONTAINED IN THIS MANUAL.  
FAILURE TO DO SO COULD RESULT IN SERIOUS INJURY OR DEATH.

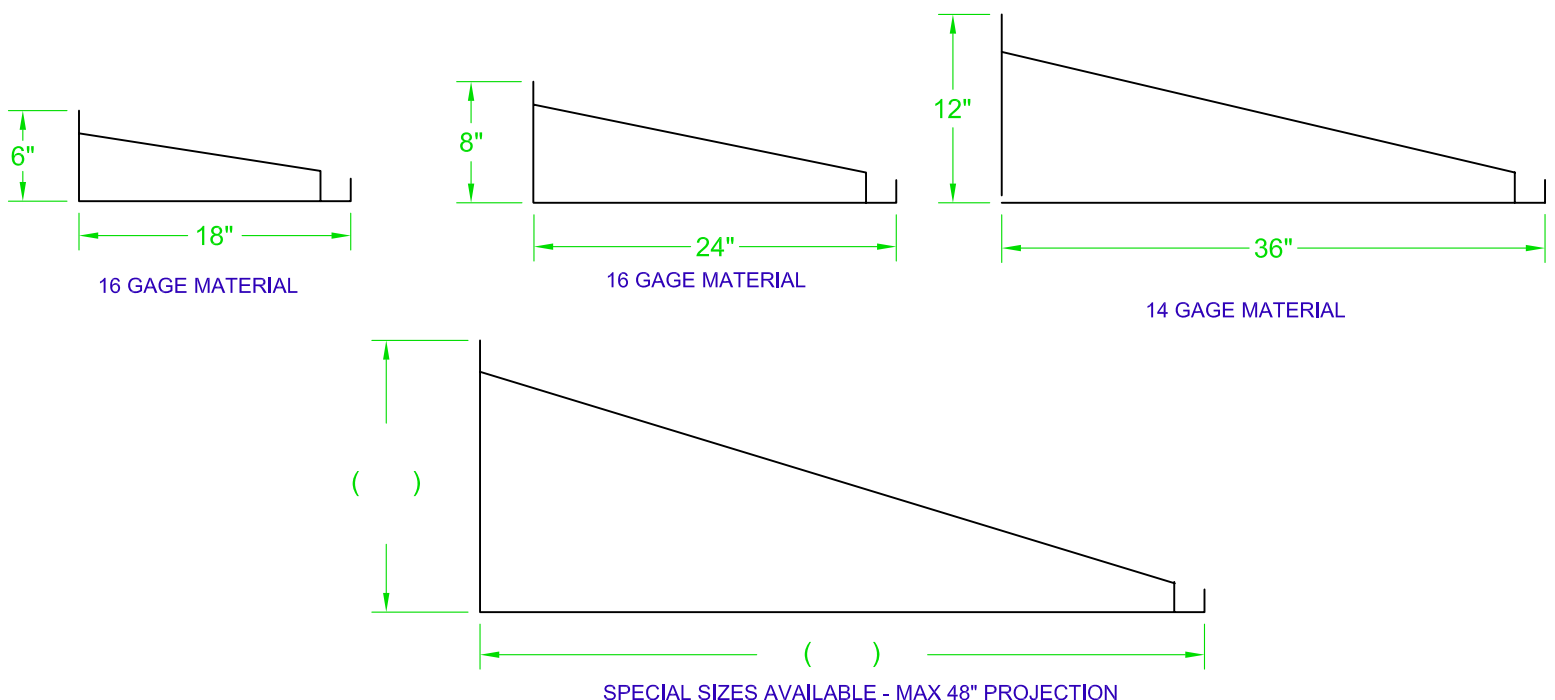
# INSTALLATION INSTRUCTIONS

## METAL HOOD

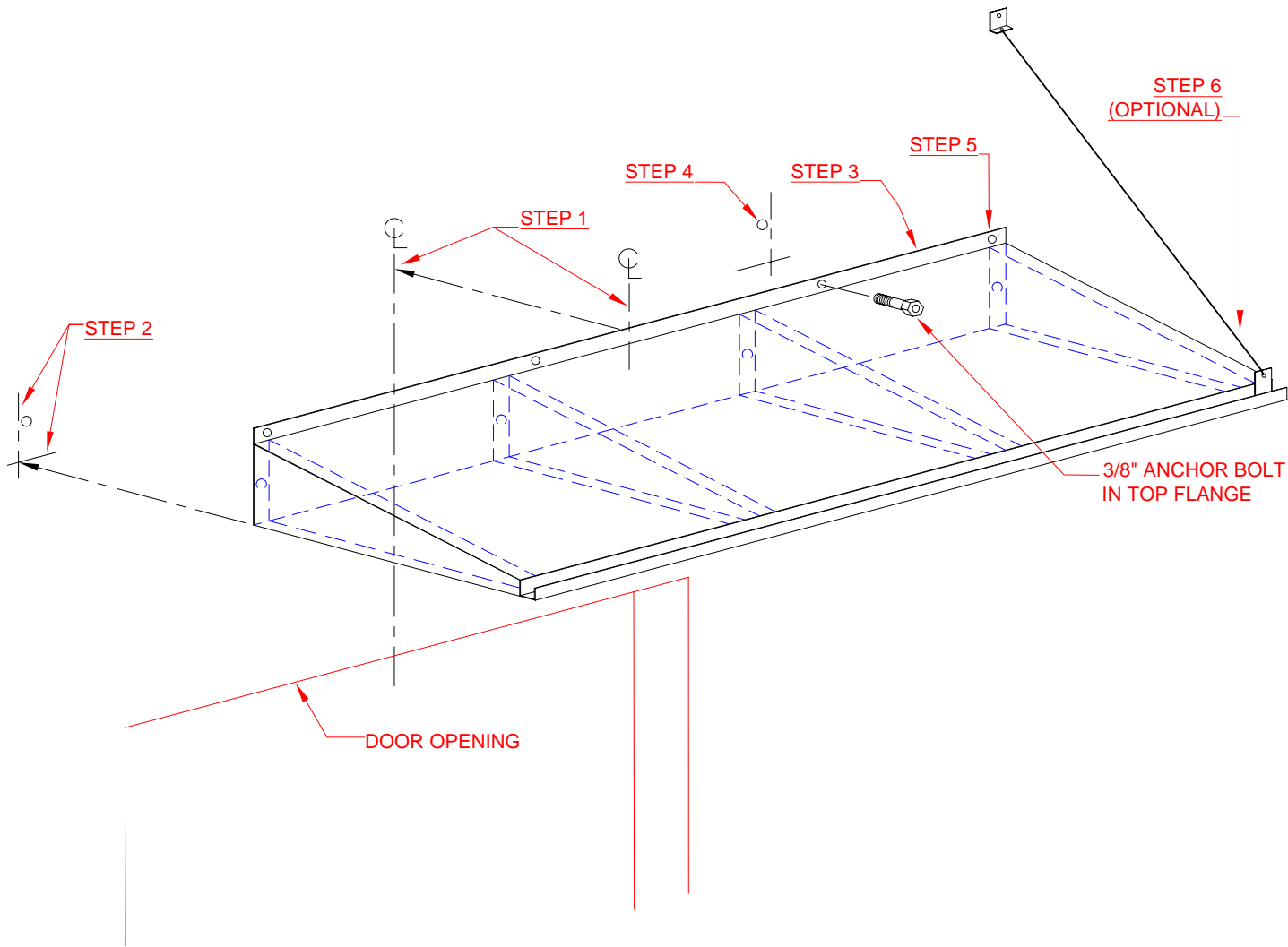
**NOTE:** Check shipping containers before releasing carrier. Notify carrier immediately upon discovering any concealed damage.

The following steps are shown in the picture on the next page:

- STEP 1:** Mark the center line of the door opening and the canopy.
- STEP 2:** Mark off the position of the canopy above the door opening and be sure it is clear of any seals or shelters.
- STEP 3:** Drill 4, 5, or 6 equally spaced 1/2" holes in upper flange of hood. (Holes are drilled by installer and spaced based on building specifications and length of hood)
- STEP 4:** Drill holes in the wall to match the holes in the canopy. (See the mounting options shown on next page). (Hardware is not included).
- STEP 5:** Position the canopy in place and anchor to the wall using 1/2" Dia. anchors in bottom gusset and 3/8" anchors in upper flange.
- STEP 6: (OPTIONAL FOR HOODS OVER 36" PROJECTION.)**  
Mount angle clip above hood on wall at a distance equal to the projection of the hood. Attach wire to the front clip on hood and to the angle clip above.



# INSTALLATION GUIDE



# MOUNTING OPTIONS

