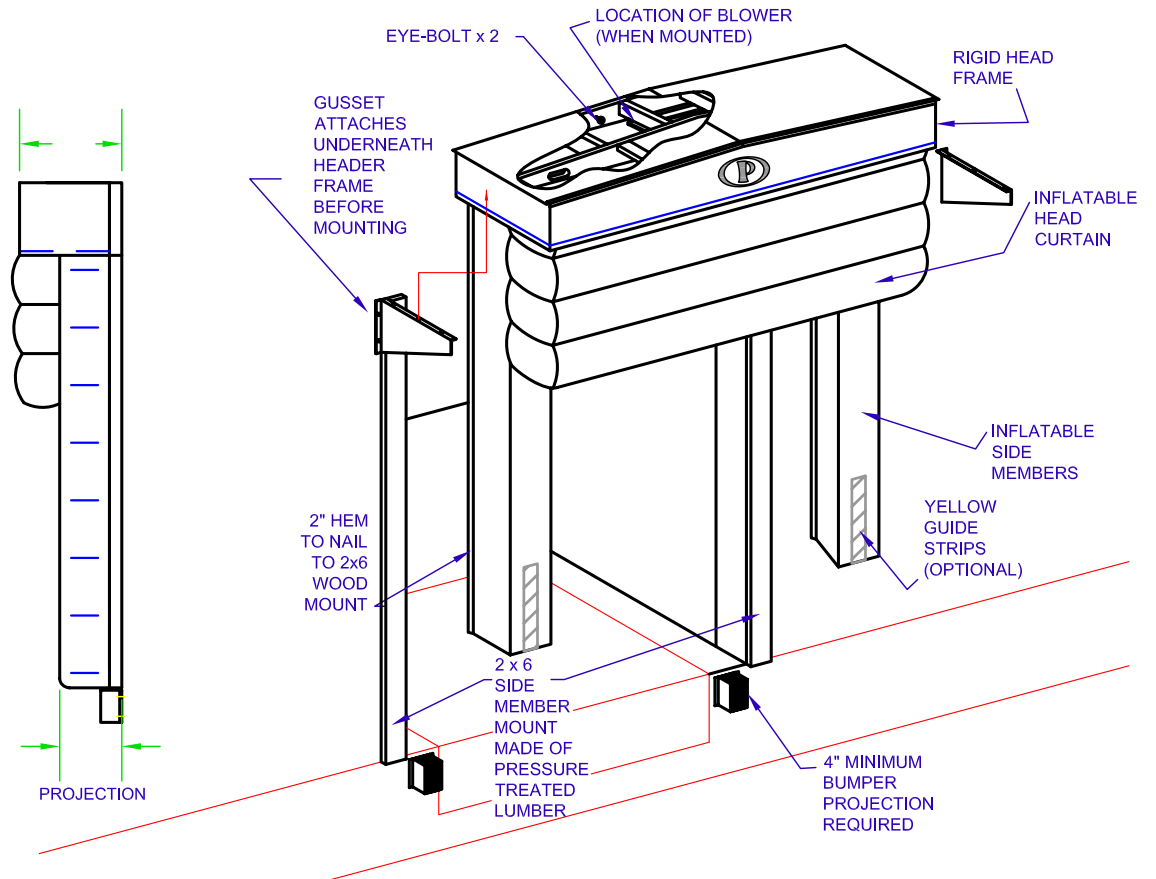
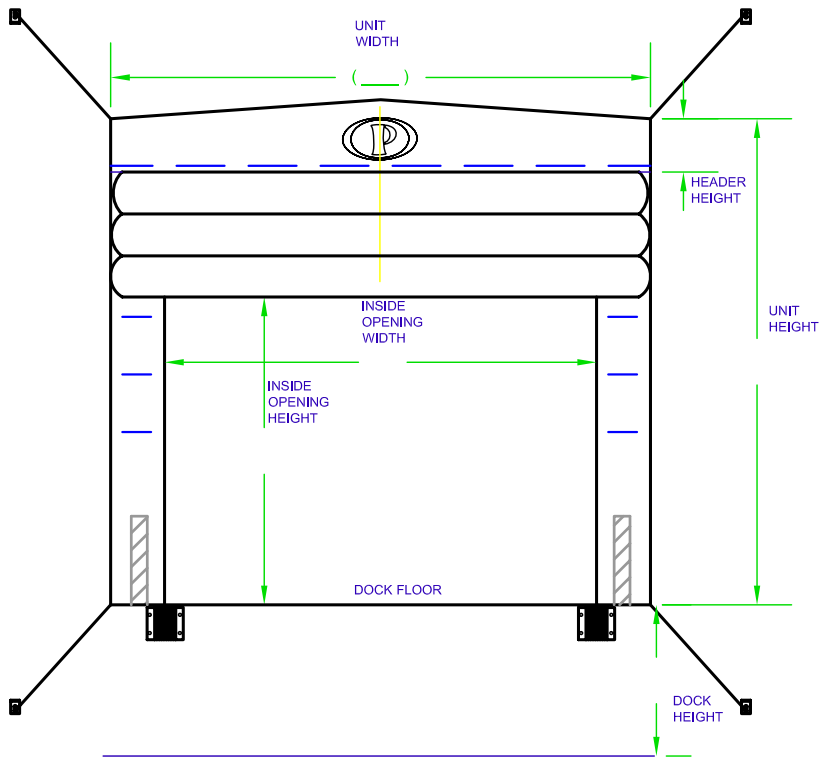


# PERMA AIR SEAL - MODEL 3300 SPECIFICATION SHEET



QUANTITY: \_\_\_\_\_, MODEL: \_\_\_\_\_  
 UNIT SIZE: \_\_\_\_\_ WIDTH, \_\_\_\_\_ HEIGHT  
 INSIDE OPENING WIDTH: \_\_\_\_\_  
 INSIDE OPENING HEIGHT: \_\_\_\_\_  
 PROJECTION: \_\_\_\_\_  
 OPTIONS:  
 DROP FLAP: \_\_\_\_\_ WIDTH, \_\_\_\_\_ DROP  
 FABRIC:  NEOPRENE -14 oz.  VINYL -18 oz.  
 FABRIC: \_\_\_\_\_, COLOR \_\_\_\_\_  
 DOOR SIZE: \_\_\_\_\_ WIDTH, \_\_\_\_\_ HEIGHT  
 DOCK HEIGHT: \_\_\_\_\_  
 BUMPER PROJECTION: \_\_\_\_\_  
 APPROACH:  LEVEL  DECLINE  NCLINE  
 \_\_\_\_\_ DIFFERENCE IN 50'-0"

## SPECIAL INFORMATION



**PERMA TECH, INC.**

363 HAMBURG STREET • BUFFALO, NY 14204  
 (716) 854-0707 • 1-800-DOC-SEAL  
[www.permatechinc.com](http://www.permatechinc.com)

JOB: \_\_\_\_\_

DEALER: \_\_\_\_\_

CONTACT: \_\_\_\_\_

QUOTE #: \_\_\_\_\_

APPROVED BY SIGNATURE: \_\_\_\_\_