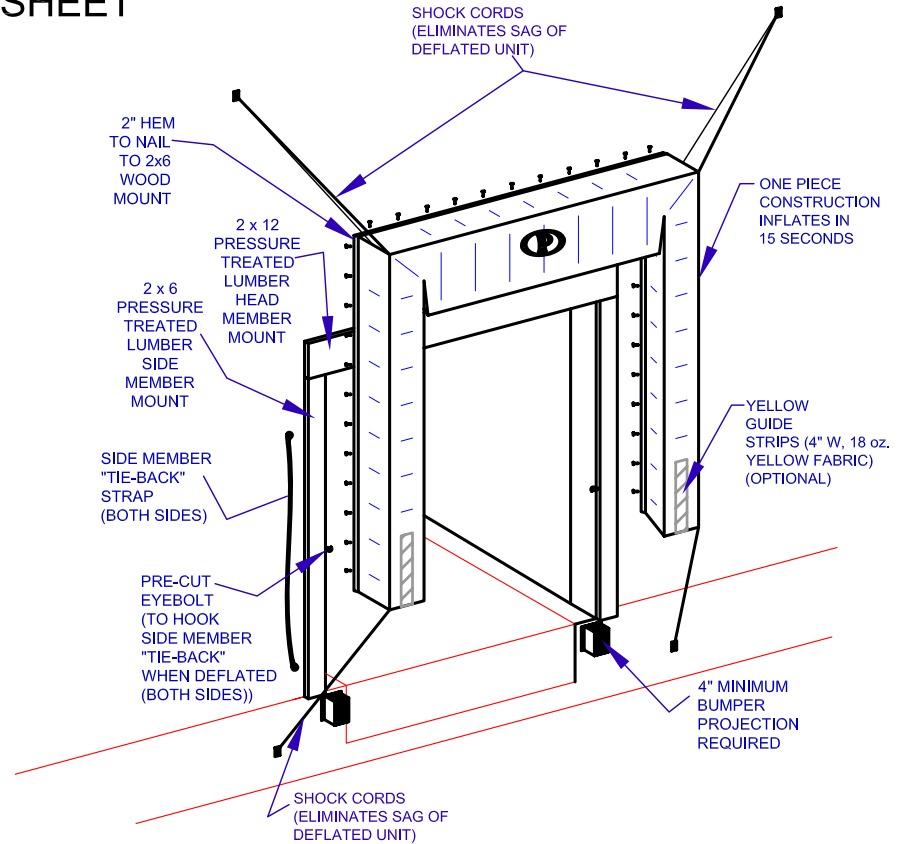
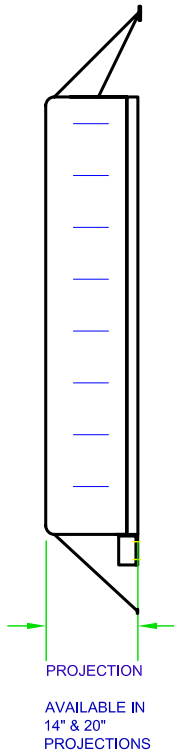
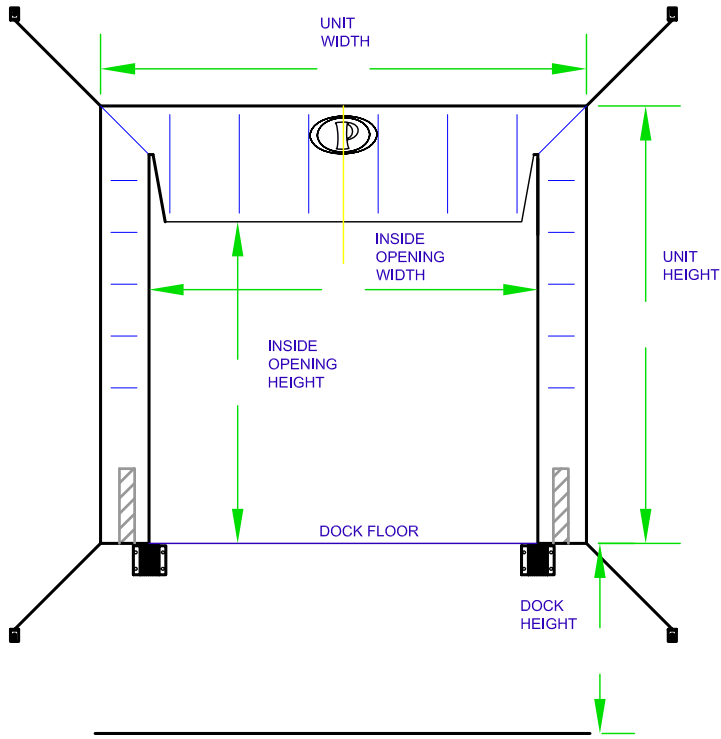
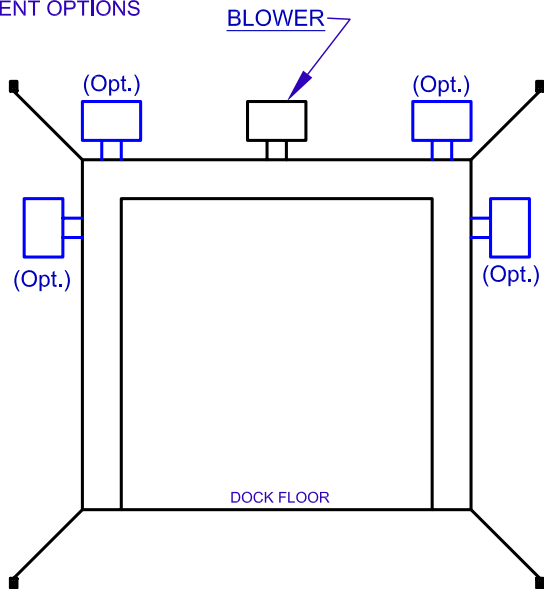


PERMA AIR SEAL - MODEL 3200 SPECIFICATION SHEET



BLOWER PLACEMENT OPTIONS



QUANTITY: _____, MODEL: _____

UNIT SIZE: _____ WIDTH, _____ HEIGHT

INSIDE OPENING WIDTH: _____

INSIDE OPENING HEIGHT: _____

PROJECTION: _____

OPTIONS:

DROP FLAP: _____ WIDTH, _____ DROP

FABRIC: NEOPRENE -14 oz. VINYL -18 oz.

FABRIC: _____, COLOR _____

DOOR SIZE: _____ WIDTH, _____ HEIGHT

DOCK HEIGHT: _____

BUMPER PROJECTION: _____

APPROACH: LEVEL DECLINE INCLINE

_____ DIFFERENCE IN 50'-0"

SPECIAL INFORMATION



PERMA TECH, INC.

363 HAMBURG STREET • BUFFALO, NY 14204
(716) 854-0707 • 1-800-DOC-SEAL
www.permatechinc.com

JOB: _____

DEALER: _____

CONTACT: _____

QUOTE #: _____

APPROVED BY SIGNATURE: _____