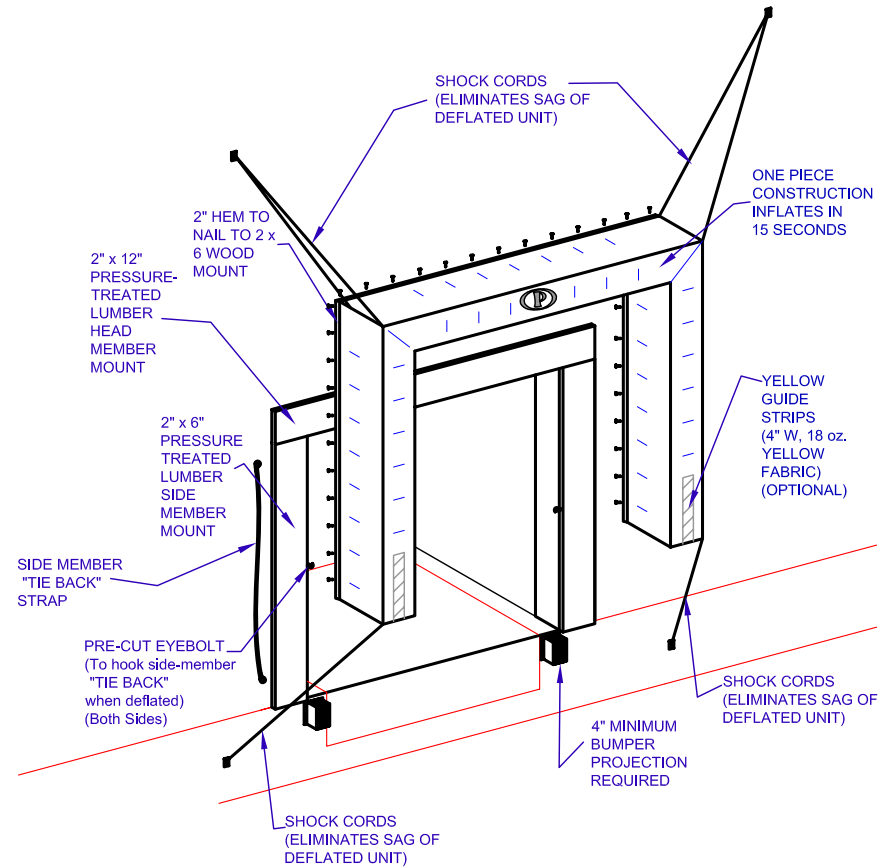
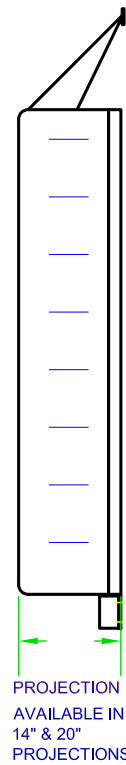
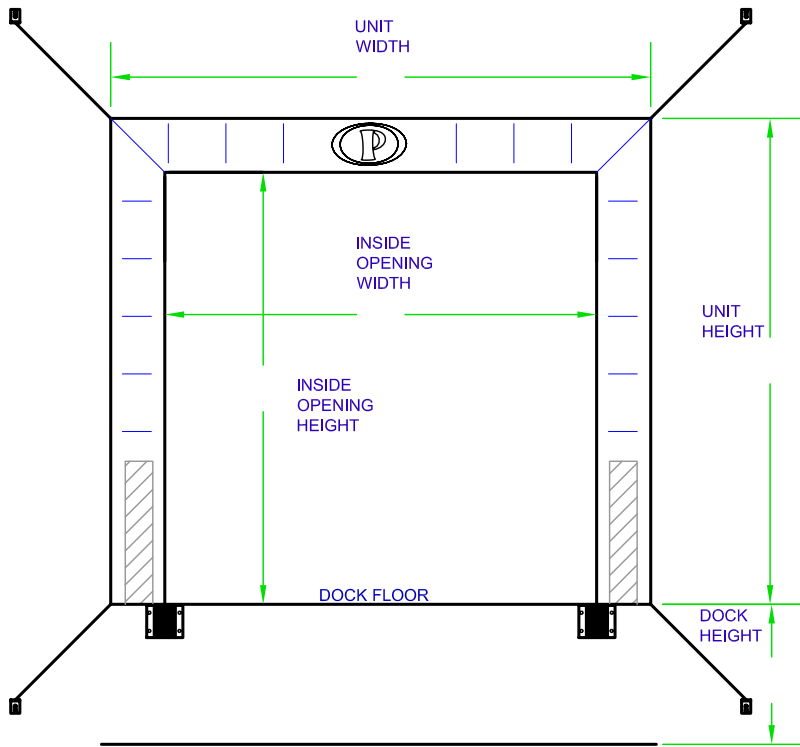
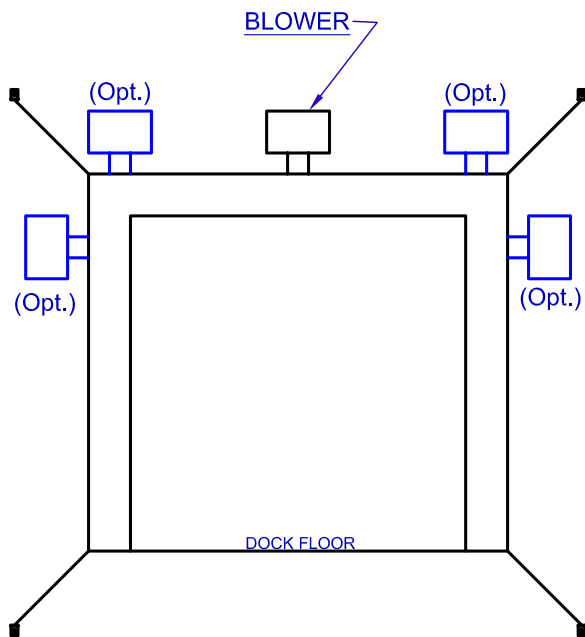


# PERMA AIR SEAL - MODEL 3100 SPECIFICATION SHEET



## BLOWER PLACEMENT OPTIONS



QUANTITY: \_\_\_\_\_, MODEL: \_\_\_\_\_.

UNIT SIZE: \_\_\_\_\_ WIDTH, \_\_\_\_\_ HEIGHT

INSIDE OPENING WIDTH: \_\_\_\_\_.

INSIDE OPENING HEIGHT: \_\_\_\_\_.

PROJECTION: \_\_\_\_\_.

OPTIONS:

DROP FLAP: \_\_\_\_\_ WIDTH, \_\_\_\_\_ DROP

FABRIC:  NEOPRENE -14 oz.  VINYL -18 oz.

FABRIC: \_\_\_\_\_, COLOR \_\_\_\_\_.

DOOR SIZE: \_\_\_\_\_ WIDTH, \_\_\_\_\_ HEIGHT

DOCK HEIGHT: \_\_\_\_\_.

BUMPER PROJECTION: \_\_\_\_\_.

APPROACH:  LEVEL  DECLINE  INCLINE

\_\_\_\_\_ DIFFERENCE IN 50'-0"

## SPECIAL INFORMATION



**PERMA TECH, INC.**

363 HAMBURG STREET • BUFFALO, NY 14204  
(716) 854-0707 • 1-800-DOC-SEAL  
[www.permatechinc.com](http://www.permatechinc.com)

JOB: \_\_\_\_\_

DEALER: \_\_\_\_\_

CONTACT: \_\_\_\_\_ QUOTE #: \_\_\_\_\_

APPROVED BY SIGNATURE: \_\_\_\_\_