

LIMITED PRODUCT WARRANTY

Perma Tech, Inc. warrants the material and workmanship in any product manufactured by Perma Tech, Inc. for a period of one year from the date of shipment to customer if properly installed, maintained and used. This limited warranty shall not apply in the event of misuse or modification by customer or to materials not manufactured and installed by Perma Tech, Inc.

In the event of any defects covered by this warranty, Perma Tech, Inc. will remedy such defects by repairing or replacing at its expense any defective products or, at its option, refunding the original purchase price excluding installation, freight and tax. This shall be customer's exclusive remedy for all claims whether based on warranty, contract, negligence, strict liability or other legal theory.

Written notice of any claim must be made within the warranty period by first class mail or personal delivery to a suitable person at Perma Tech's office at 363 Hamburg Street, Buffalo, New York 14204. Notice of delivery by e-mail or fax is not acceptable.

PERMA TECH, INC. EXPRESSLY DISCLAIMS AND CUSTOMER WAIVES ALL IMPLIED WARRANTIES INCLUDING WITHOUT LIMITATION, ANY IMPLIED WARRANTIES OF MERCHANTABILITY OR FITNESS FOR A PARTICULAR PURPOSE. PERMA TECH, INC. SHALL NOT IN ANY EVENT BE LIABLE FOR AND CUSTOMER WAIVES ANY INCIDENTAL, CONSEQUENTIAL OR PUNITIVE DAMAGES OF ANY KIND TO CUSTOMER OR ANY THIRD PARTY, INCLUDING WITHOUT LIMITATION DAMAGES FOR LOST PROFITS, EVEN IF ADVISED OF SAME.



PERMA TECH, INC.

363 HAMBURG STREET
BUFFALO, NEW YORK 14204

PHONE: (716) 854-0707

FAX: (716) 854-0774

1-800-362-7325

WWW.PERMATECHINC.COM

PERMA PS-90 SOFT SHELTER

WITH BLOCK-OUTS

INSTALLATION INSTRUCTIONS

NOTE:

CHECK SHIPPING CONTAINERS BEFORE RELEASING CARRIER.
NOTIFY CARRIER IMMEDIATELY UPON DISCOVERING ANY CONCEALED DAMAGE.

WARNING

DO NOT INSTALL THIS PRODUCT UNLESS YOU READ AND UNDERSTAND THE WARNINGS AND INSTALLATION INSTRUCTIONS CONTAINED IN THIS MANUAL.
FAILURE TO DO SO COULD RESULT IN SERIOUS INJURY OR DEATH.

INSTALLATION INSTRUCTIONS

PERMA PS-90 SOFT SHELTER w/ WOOD BLOCK-OUTS

NOTE: Check shipping containers before releasing carrier. Notify carrier immediately upon discovering any concealed damage.

- A. At least 4" of protective bumper is required with this unit.
- B. all pads must be mounted with air/water release grommets or screens facing down.
- C. Completed units must be caulked around the entire outside edge.

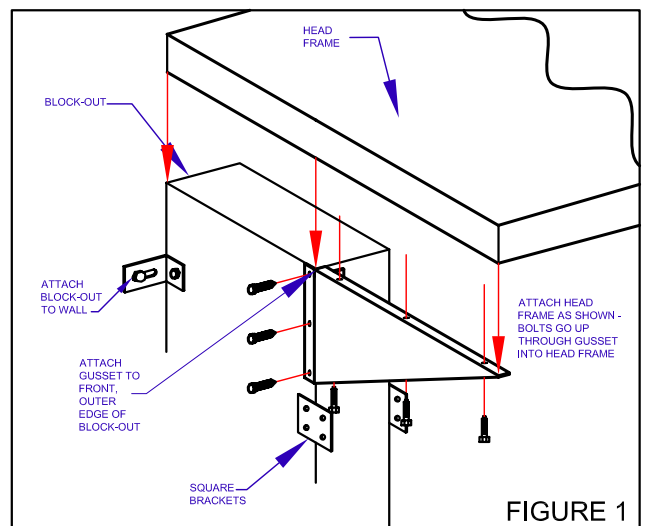
1. Find the centerline of the door opening and mark the door opening top and bottom. Use the head frame to find the unit width and mark the wall, right and left, for the correct positions of the side pads.

2. Position block-outs on wall using dock floor and head frame width marks as guides. Outer edge of block-outs should line up with head frame width marks. Bolt block-outs to wall.

3. Remove the aluminum angles from the head frame.

4. Attach gussets to front, outer edge of block-outs. (Figure 1). Lift head frame in place and attach to gussets.

5. Further attachments may be made with angle brackets or lagging through the 2" x 6" frame into the building wall.



6. Attach Velcro strip on side curtains to matching strips on the inside of the side pads. Wrap the curtain around the face of the pad and extend the projection edge to the backboard and nail in place with the screws and fender washers provided. (Figure 2)

7. Attach the side pads to the blockouts using six square brackets for each side. Hook the shock cords on the top of the side curtains to the eyehooks at the center of the head frame.

8. Lag the head curtain into the head frame through the aluminum angle trim. Use a roofing nail to hold the curtain in place while the curtain and trim are being attached. Pull the ends of the header shock cords back to the wall and attach to the side backboards using screws and fender washers. Note: The shock cord is designed to have slack once mounted.

