





PERMA TECH, INC.

363 HAMBURG STREET  
BUFFALO, NEW YORK 14204

PHONE: (716) 854-0707

FAX: (716) 854-0774

1-800-362-7325

WWW.PERMATECHINC.COM

# PERMA PS-90 SOFT SHELTER

## *INSTALLATION INSTRUCTIONS*

### NOTE:

CHECK SHIPPING CONTAINERS BEFORE RELEASING CARRIER.  
NOTIFY CARRIER IMMEDIATELY UPON DISCOVERING ANY CONCEALED DAMAGE.

### **WARNING**

DO NOT INSTALL THIS PRODUCT UNLESS YOU READ AND UNDERSTAND THE WARNINGS AND INSTALLATION INSTRUCTIONS CONTAINED IN THIS MANUAL.  
FAILURE TO DO SO COULD RESULT IN SERIOUS INJURY OR DEATH.

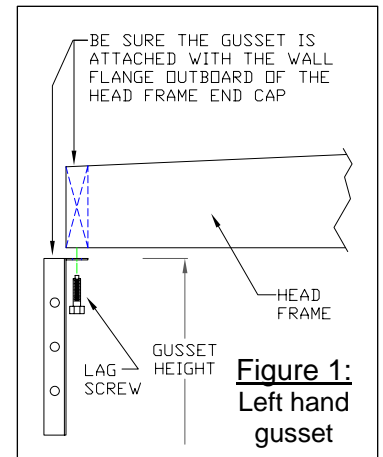
# INSTALLATION INSTRUCTIONS

## PERMA PS-90 SOFT SHELTER

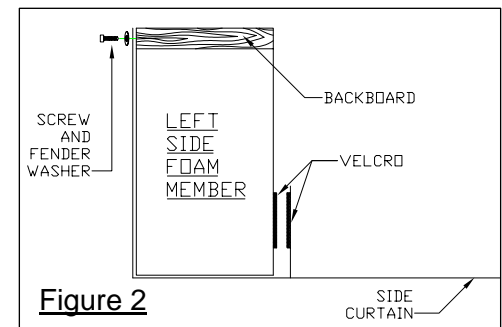
**NOTE:** Check shipping containers before releasing carrier. Notify carrier immediately upon discovering any concealed damage.

- A. At least 4" of protective bumper is required with this unit.
- B. All pads must be mounted with air/water release grommets or screens facing down.
- C. Completed units must be caulked around the entire outside edge.

1. Find the centerline of the door opening and mark the door opening top and bottom. Use the head frame to find the unit width and mark the wall, right and left, for the correct positions of the side pads.
2. Find the side pad length. This will give you the gusset height. Mark the building wall for this height from the dock floor.
3. Remove the aluminum angles from the head frame. Attach the head frame gussets to the head frame as shown in Figure 1.



4. Lift the head frame in place using the marks from steps 1 & 2. Lag the gussets to the wall. Further attachments may be made with angle brackets or lagging through the 2" x 6" frame into the building wall.
5. Attach Velcro strip on side curtains to matching strips on the inside of the side pads. Wrap the curtain around the face of the pad and extend the projection edge to the backboard and nail in place with the screws and fender washers provided (Figure 2).



6. Slide the side pads under the head frame and attach to wall using the brackets provided. Hook the shock cords on the top of the side curtains to the eyehooks at the center of the head frame.
7. Lag the head curtain into the head frame through the aluminum angle trim. Use a roofing nail to hold the curtain in place while the curtain and trim are being attached. Pull both ends of the header shock cords back to the wall and attach to side backboards.

