

LIMITED PRODUCT WARRANTY

Perma Tech, Inc. warrants the material and workmanship in any product manufactured by Perma Tech, Inc. for a period of one year from the date of shipment to customer if properly installed, maintained and used. This limited warranty shall not apply in the event of misuse or modification by customer or to materials not manufactured and installed by Perma Tech, Inc.

In the event of any defects covered by this warranty, Perma Tech, Inc. will remedy such defects by repairing or replacing at its expense any defective products or, at its option, refunding the original purchase price excluding installation, freight and tax. This shall be customer's exclusive remedy for all claims whether based on warranty, contract, negligence, strict liability or other legal theory.

Written notice of any claim must be made within the warranty period by first class mail or personal delivery to a suitable person at Perma Tech's office at 363 Hamburg Street, Buffalo, New York 14204. Notice of delivery by e-mail or fax is not acceptable.

PERMA TECH, INC. EXPRESSLY DISCLAIMS AND CUSTOMER WAIVES ALL IMPLIED WARRANTIES INCLUDING WITHOUT LIMITATION, ANY IMPLIED WARRANTIES OF MERCHANTABILITY OR FITNESS FOR A PARTICULAR PURPOSE. PERMA TECH, INC. SHALL NOT IN ANY EVENT BE LIABLE FOR AND CUSTOMER WAIVES ANY INCIDENTAL, CONSEQUENTIAL OR PUNITIVE DAMAGES OF ANY KIND TO CUSTOMER OR ANY THIRD PARTY, INCLUDING WITHOUT LIMITATION DAMAGES FOR LOST PROFITS, EVEN IF ADVISED OF SAME.



PERMA TECH, INC.

363 HAMBURG STREET
BUFFALO, NEW YORK 14204

PHONE: (716) 854-0707

FAX: (716) 854-0774

1-800-362-7325

WWW.PERMATECHINC.COM

PERMA ADJUSTABLE HEADERS



INSTALLATION INSTRUCTIONS

NOTE:

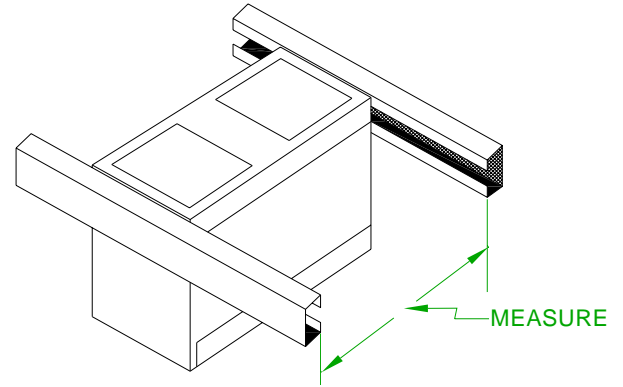
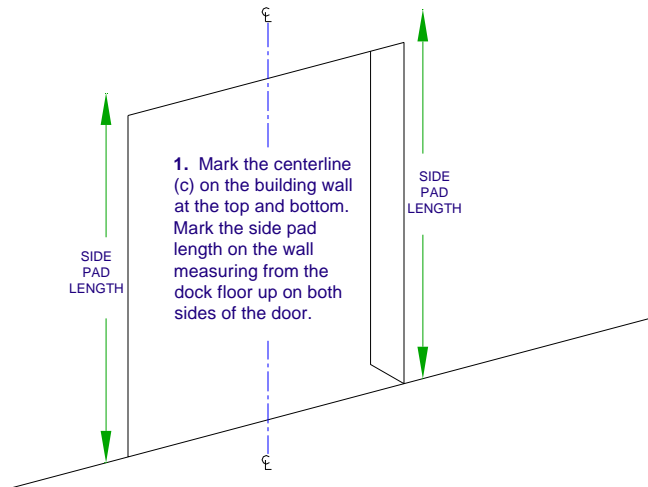
CHECK SHIPPING CONTAINERS BEFORE RELEASING CARRIER.
NOTIFY CARRIER IMMEDIATELY UPON DISCOVERING ANY CONCEALED DAMAGE.

WARNING

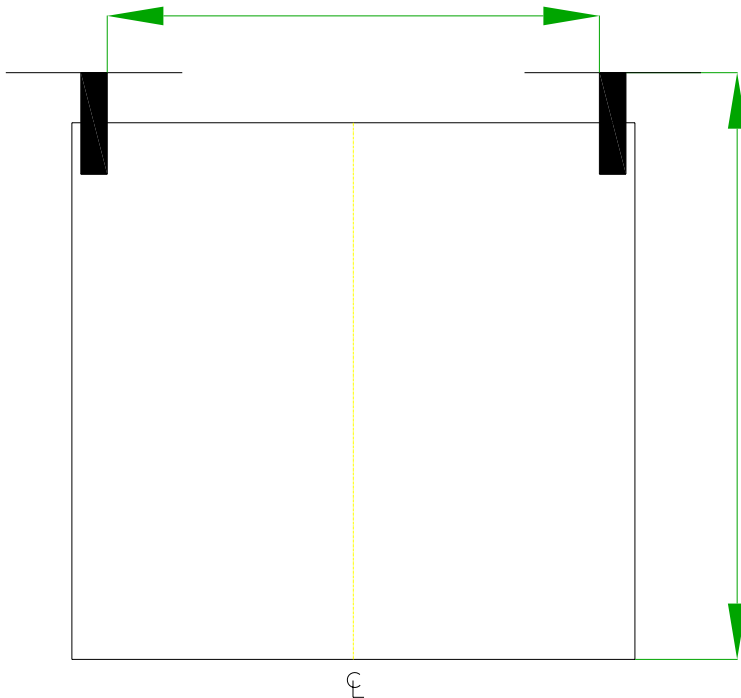
DO NOT INSTALL THIS PRODUCT UNLESS YOU READ AND UNDERSTAND THE WARNINGS AND INSTALLATION INSTRUCTIONS CONTAINED IN THIS MANUAL. FAILURE TO DO SO COULD RESULT IN SERIOUS INJURY OR DEATH.

INSTALLATION INSTRUCTIONS PERMA ADJUSTABLE HEADERS

NOTE: Check all shipping containers before releasing carrier. Notify carrier immediately upon discovering any concealed damage.



Measure the steel frame on the head pad and add $\frac{1}{2}$ " for clearance, or slide the channels on the bearing wheels and measure the distance between them. This will give you the distance apart the channels will be mounted on the building wall.



Mark the wall so that the header is centered on the door opening.

Normally the cannels are to be mounted even with the top of the side pads. Make sure they are square to each other and plumb.

SPECIAL NOTE:

Because of variations between door sizes specified and actual size, channel mounting hardware will be shipped loose for in-field welding.

Side pad hardware

Inside and outside mounting

Side pads up to 10':

4 angles per pad

8 angles per unit.

Side pads 10' and over:

6 angles per pad

12 angles per unit

Flush mounting

Side pads up to 10':

3 angles & 2 flats per pad

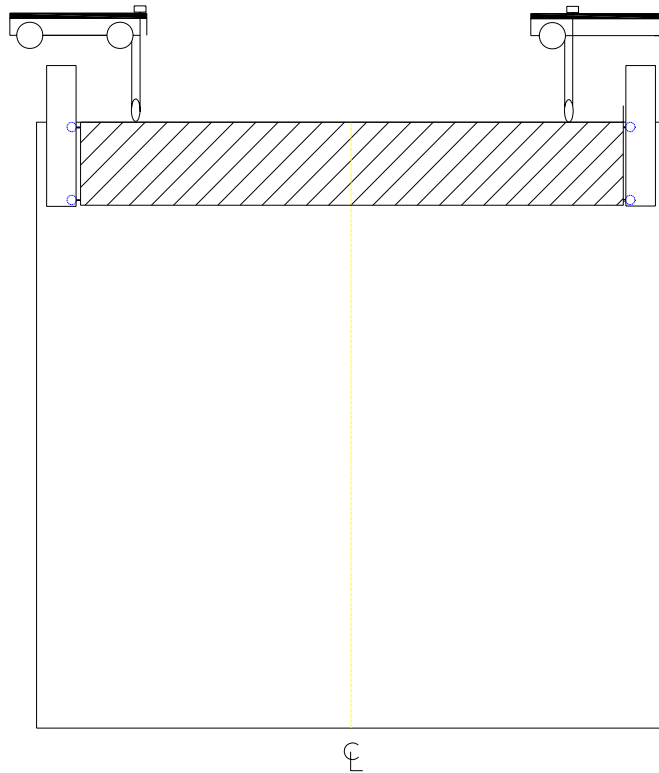
6 angles & 4 flats per unit

Side pads 10' and over:

3 angles & 3 flats per pad

6 angles & 6 flats per unit

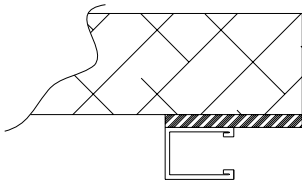
SPECIFICATIONS DESCRIBED HEREIN WERE IN EFFECT AT TIME OF PRINTING.
HOWEVER, OUR POLICY IS ONE OF CONTINUOUS IMPROVEMENT. WE RESERVE THE
RIGHT TO CHANGE SPECIFICATIONS AND DESIGN OR TO DISCONTINUE MODELS AT
ANY TIME WITHOUT INCURRING OBLIGATION.



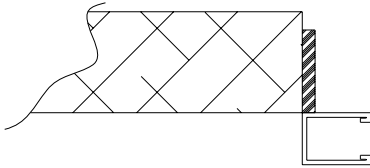
Attach mounting hardware to the side pads and install them on the wall with inside edges tight against the channel

- | | |
|--|---|
| <p>1. HEAD PAD (1)
 (1 ea.) steel frame
 (4 ea.) bearing wheels
 (2 ea.) pulleys
 (1 ea.) wood backing
 (1 ea.) urethane foam pad
 (1 ea.) fabric cover</p> | <p>3. HEAD PAD CHANNELS
 (2 ea.) channels (to spec. length)
 (2 ea.) stop bolts (top)
 (2 ea.) stop angles (bottom) w/bolts
 (4 ea.) channel mounting hardware (to mounting variation spec.)</p> |
| <p>2. SIDE PADS (2)
 (1 ea.) wood backing
 (1 ea.) urethane foam pad
 (1 ea.) fabric cover</p> | <p>4. SHEAVE ANGLES
 (1 ea.) left sheave angle
 (1 ea.) right sheave angle
 (4 ea.) 3" sheaves & bolts</p> |
| | <p>5. COUNTERWEIGHT
 (1 ea.) counterweight
 (2 ea.) counterweight wire
 (2 ea.) cable clamps</p> |

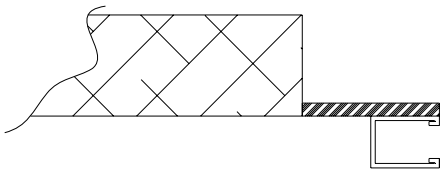
MOUNTING VARIATIONS



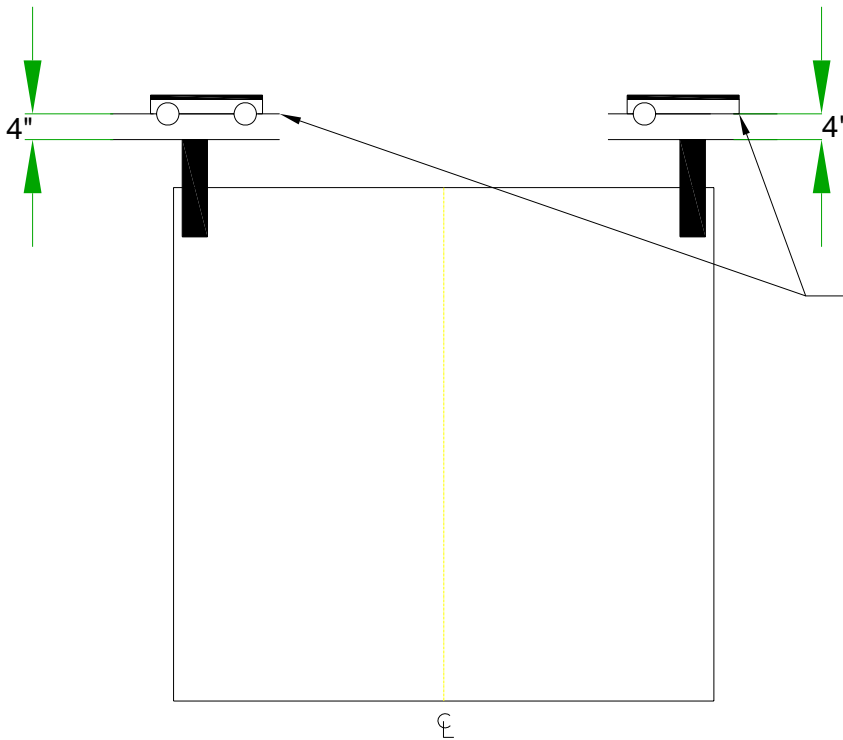
1. Outside Mount



2. Flush Mount



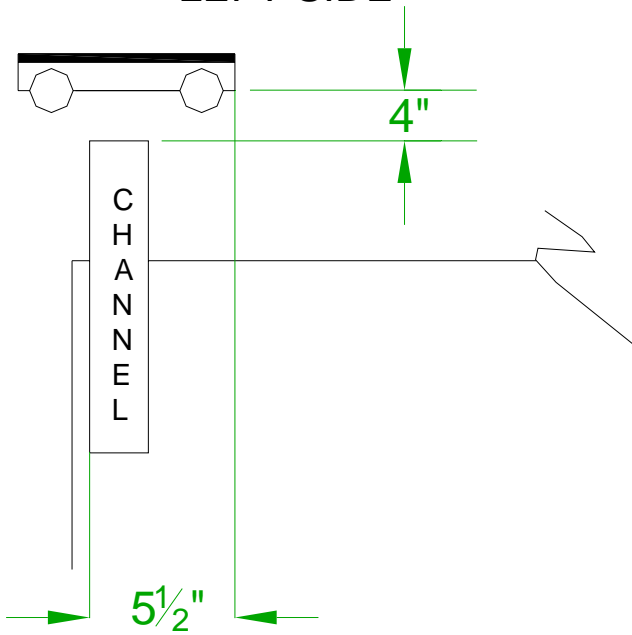
3. Inside Mount



Mark a line 4" above the top of the channels. The bottom of the sheave angle is mounted on this line.

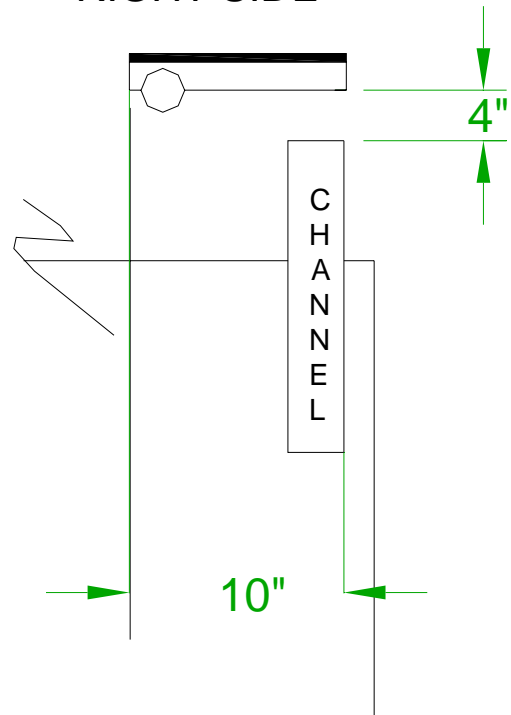
Install the sheave angle as shown below.

LEFT SIDE

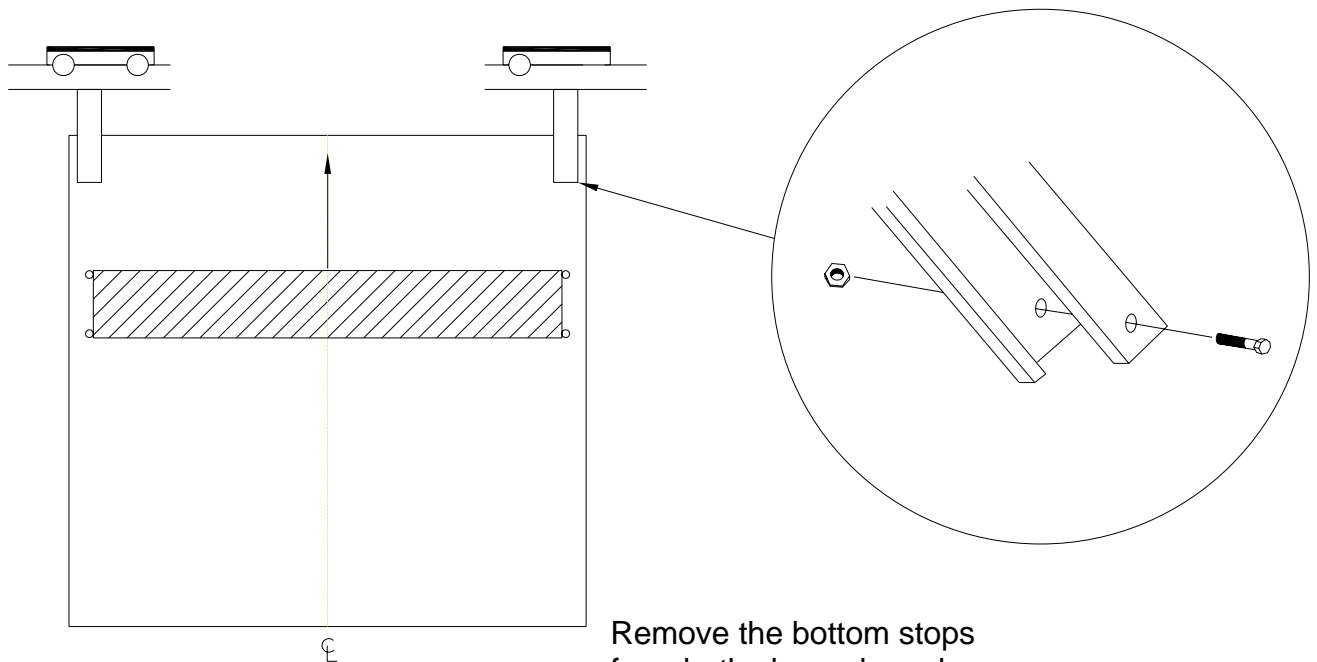


Measure from back of the channel 5 1/2" toward the center of the door to position inboard end of the left sheave angle.

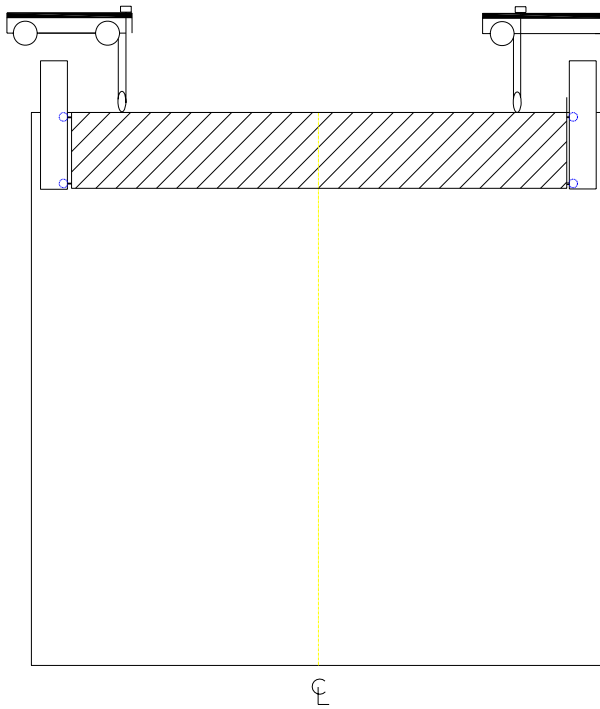
RIGHT SIDE



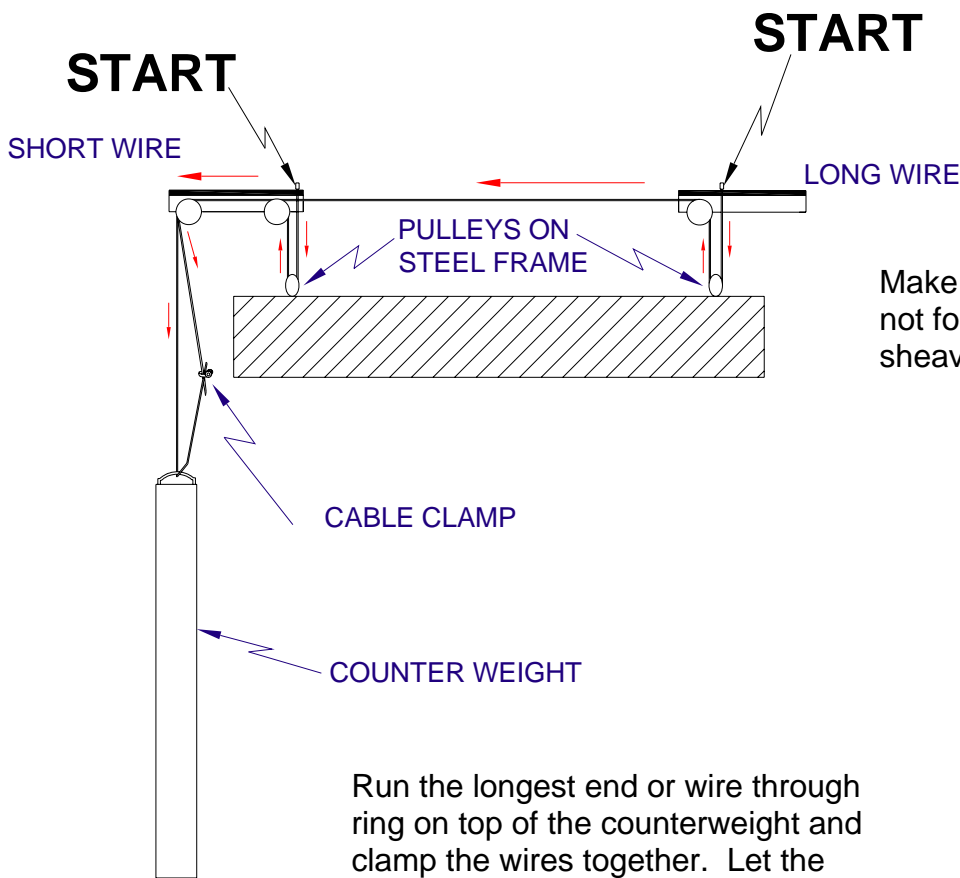
Measure from back of the channel 10" toward the center of the door to position inboard end of the right sheave angle.



Remove the bottom stops from both channels and slide header bearing wheels up into channels and replace stops.



When the header is in place, thread the wire as in the following diagram. The long wire (15') starts on the right side and the short (7') wire starts on the left



Make sure wire is not fouled and in all sheave grooves

Run the longest end or wire through ring on top of the counterweight and clamp the wires together. Let the counterweight center itself on the wire and then install the second clamp just above the loop. This will keep even tension on the wire and insure even movement of the header.

