

**Figure 1:** The difference in door width and unit width may require variable mounting of the side pads. The flush mount is shown on the previous page. Mounting brackets are provided, anchors are not included. For the outside mount, bracket may extend into door opening. In this case, either bend over or trim off excess metal.

**Figure 1:  
Side Pad  
Mounting Detail**

## LIMITED PRODUCT WARRANTY

Perma Tech, Inc. warrants the material and workmanship in any product manufactured by Perma Tech, Inc. for a period of one year from the date of shipment to customer if properly installed, maintained and used. This limited warranty shall not apply in the event of misuse or modification by customer or to materials not manufactured and installed by Perma Tech, Inc.

In the event of any defects covered by this warranty, Perma Tech, Inc. will remedy such defects by repairing or replacing at its expense any defective products or, at its option, refunding the original purchase price excluding installation, freight and tax. This shall be customer's exclusive remedy for all claims whether based on warranty, contract, negligence, strict liability or other legal theory.

Written notice of any claim must be made within the warranty period by first class mail or personal delivery to a suitable person at Perma Tech's office at 363 Hamburg Street, Buffalo, New York 14204. Notice of delivery by e-mail or fax is not acceptable.

PERMA TECH, INC. EXPRESSLY DISCLAIMS AND CUSTOMER WAIVES ALL IMPLIED WARRANTIES INCLUDING WITHOUT LIMITATION, ANY IMPLIED WARRANTIES OF MERCHANTABILITY OR FITNESS FOR A PARTICULAR PURPOSE. PERMA TECH, INC. SHALL NOT IN ANY EVENT BE LIABLE FOR AND CUSTOMER WAIVES ANY INCIDENTAL, CONSEQUENTIAL OR PUNITIVE DAMAGES OF ANY KIND TO CUSTOMER OR ANY THIRD PARTY, INCLUDING WITHOUT LIMITATION DAMAGES FOR LOST PROFITS, EVEN IF ADVISED OF SAME.



PERMA TECH, INC.

363 HAMBURG STREET  
BUFFALO, NEW YORK 14204

PHONE: (716) 854-0707

FAX: (716) 854-0774

1-800-362-7325

WWW.PERMATECHINC.COM

# PERMA FOAM SEAL

## *INSTALLATION INSTRUCTIONS*

### NOTE:

CHECK SHIPPING CONTAINERS BEFORE RELEASING CARRIER.  
NOTIFY CARRIER IMMEDIATELY UPON DISCOVERING ANY CONCEALED DAMAGE.

### **WARNING**

DO NOT INSTALL THIS PRODUCT UNLESS YOU READ AND UNDERSTAND THE WARNINGS AND INSTALLATION INSTRUCTIONS CONTAINED IN THIS MANUAL.  
FAILURE TO DO SO COULD RESULT IN SERIOUS INJURY OR DEATH.

# INSTALLATION INSTRUCTIONS

## PERMA FOAM SEAL

**NOTE:** Check shipping containers before releasing carrier. Notify carrier immediately upon discovering any concealed damage.

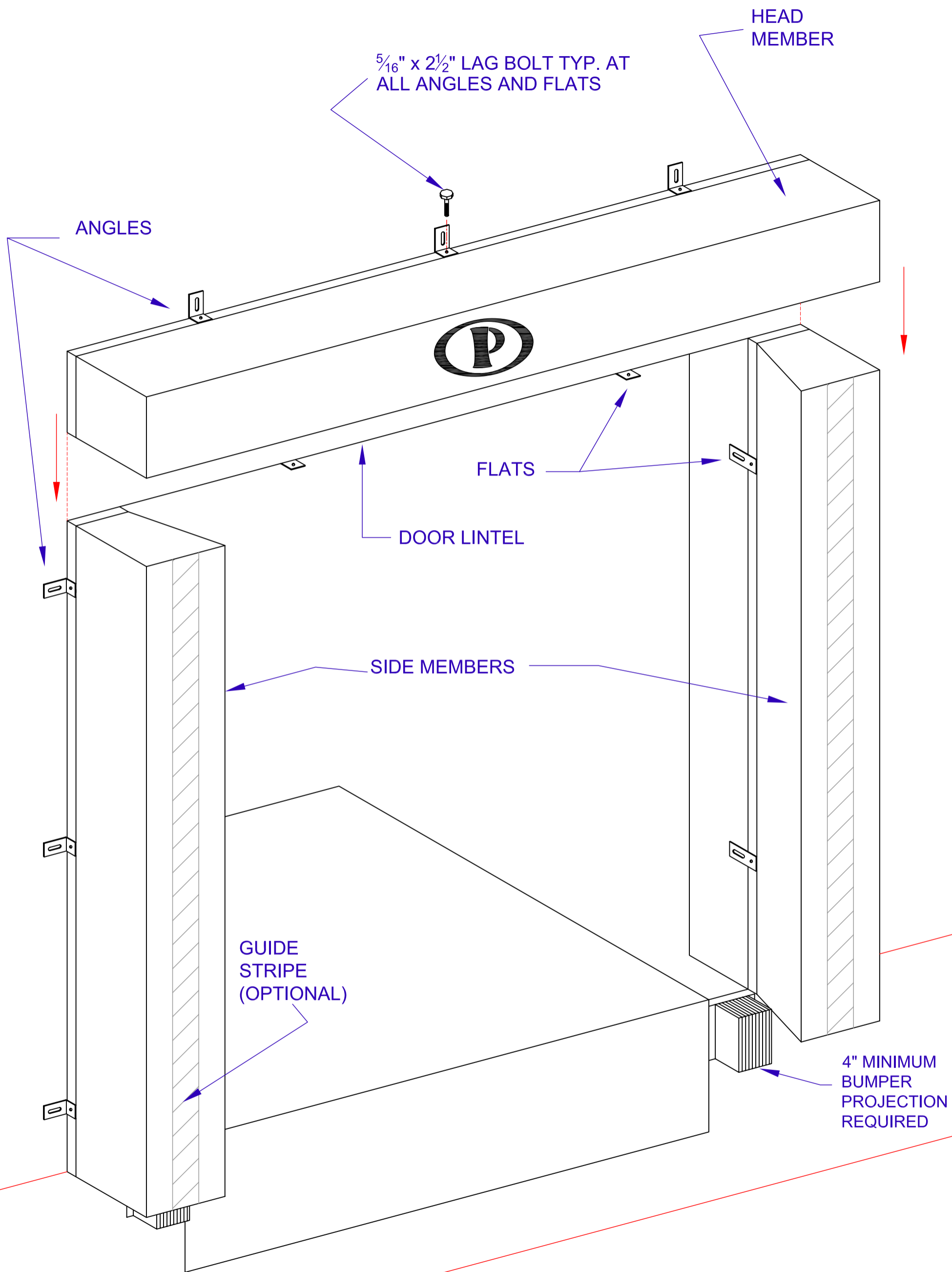
- A. At least 4" of protective bumper is required with this unit.
- B. All pads must be mounted with air/water release grommets or screens facing down.
- C. Prior to installation, verify which of the two units is being installed (Head pad above or in between side pads). Proceed with appropriate instructions below.
- D. Completed units must be caulked around the entire outside edge.

➤ **MOUNTING HEAD PAD ABOVE SIDE PADS** (shown in diagram):

1. Measure the length of the head pad and divide this value in half to find the *centerline distance*. Find and mark the center of the top of the door opening and the bottom of the door opening. Using the *centerline distance*, measure outward from the center of the door opening and mark the building wall for side pad location. (NOTE: See **Figure 1** for additional mounting detail for the side pads depending on the difference in unit width and door width.)
2. Measure the side pad length. Mark the building wall for this height from the dock floor.
3. Using the brackets provided, fasten side pads to the wall. Align the outside edges with the marks and align the bottom of the pads with the dock floor.
4. Center the head pad above the side pads and fasten to the wall with the provided brackets.

➤ **MOUNTING HEAD PAD BETWEEN SIDE PADS:**

1. See #1 above. The marks made with the centerline distance indicate the location of the inside edge of the side pads.
2. Measure the side pad length. This will give you the unit height. Mark the building wall for this height from the dock floor.
3. Above the doorway, match the marks made in steps 1 & 2. This will give you the location of the top of the head pad. Using the brackets provided, fasten the head pad to the wall, making sure it is level.
4. Using the provided brackets, fasten the side pads to the wall, making sure they are plumb and even with the top of the head pad.



$\frac{5}{16}$ " x  $2\frac{1}{2}$ " LAG BOLT TYP. AT ALL ANGLES AND FLATS

HEAD MEMBER

ANGLES



FLATS

DOOR LINTEL

SIDE MEMBERS

GUIDE STRIPE (OPTIONAL)

4" MINIMUM BUMPER PROJECTION REQUIRED

NOTE: LOCATION OF ANGLES & FLATS DETERMINED BY INSTALLER TO SUIT WALL CONFIGURATIONS