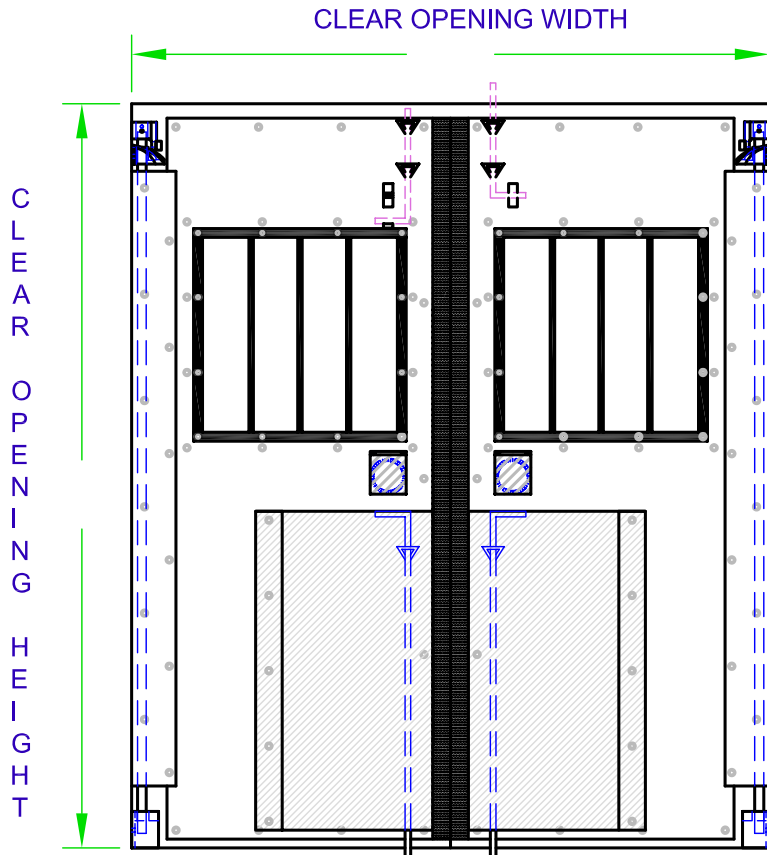
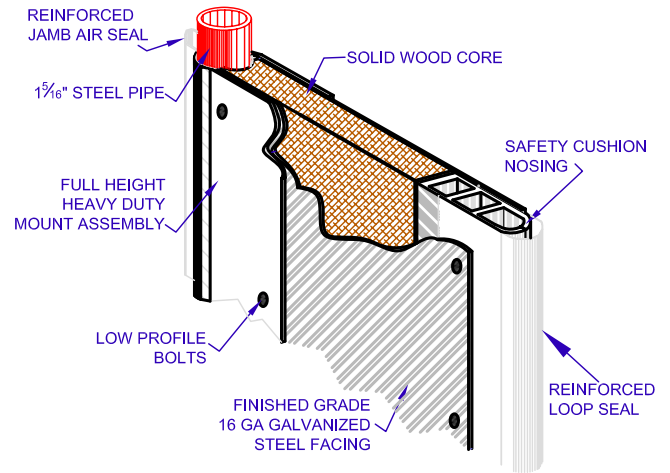


PERMA GUARDTM TRAFFIC DOOR

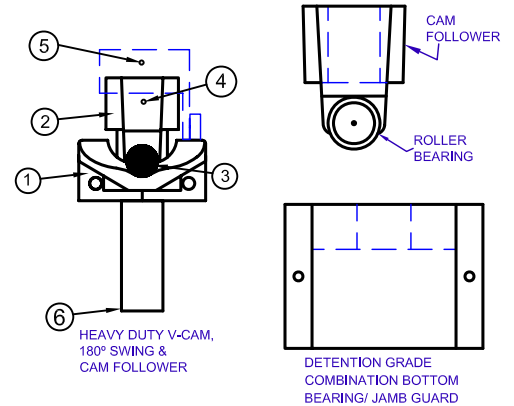
Carrier & Mailing Vestibule Security Door



INTERNAL CONSTRUCTION



MOUNTING HARDWARE



SPECIFICATIONS: NUMBER OF PAIRS: _____
 DOOR SIZE: WIDTH _____, HEIGHT: _____.

OPTIONS: MOUNTING WELD PLATES
 DOOR STOPS - BOTH SIDES

CONSTRUCTION DETAILS:

- FINISHED GRADE 16 GA. GALVANIZED STEEL FACING
- SOLID WOOD CORE
- FULL HEIGHT, HEAVY DUTY MOUNT ASSEMBLY
- HEAVY DUTY 180 DEGREE SWING, EASY OPENING DETENTION GRADE HARDWARE
 DETENTION GRADE COMBINATION BOTTOM BEARING JAMB GUARD
- DETENTION GRADE FASTENERS FOR MOUNTING HARDWARE
- FULL PERIMETER REINFORCED AIR SEALS
 A. HEADER C. HARDWARE CUT OUTS
 B. JAMB D. BOTTOM AIR SEAL
- 36" HIGH MOULDED HIGH-IMPACT BUMPERS LOCATED AT 2" ABOVE FLOOR
 - BOTH SIDES
- THREE HOT ROLLED STEEL SECURITY BARS IN EACH WINDOW
- 22" x 22" x 1/8" THICK DOUBLE GLAZED U.L. LISTED BURGLARY RESISTANT
 POLYCARBONATE WINDOW
- POWDER COATED CAM SHIELD WITH SKIRT SEAL
- ONE CHAIN LOCKING BUSHING IN EACH LEAF, WITH FLAP SEAL
- 5/8" DIA. TOP AND BOTTOM CANE BOLTS
- LOW PROFILE BOLTS
- SAFETY CUSHION NOSING W/LOOP SEAL
- OPTION: MOUNTING WELD PLATES: DOOR STOPS BOTH SIDES

NO.	DESCRIPTION
1	HEAVY DUTY V-CAM, 180° SWING
2	CAM FOLLOWER
3	ROLLER BEARING
4	SET SCREW
5	ROLL PIN
6	1- 5/16" STEEL TUBE

NOTE: The Perma Guard Door is constructed in accordance with the current standard details of the U.S.P.S. handbook RE-5, building and site security requirements design specification.

UNITED STATES POSTAL SERVICE PROVIDER
 OF CARRIER AND MAILING VESTIBULE DOORS



PERMA TECH, INC.

363 HAMBURG STREET • BUFFALO, NY 14204
 (716) 854-0707 • 1-800-DOC-SEAL • (716) 854-0774 FAX
www.permatechinc.com

CUSTOMER: _____

DEALER: _____ QUOTE #: _____

APPROVED BY SIGNATURE: _____