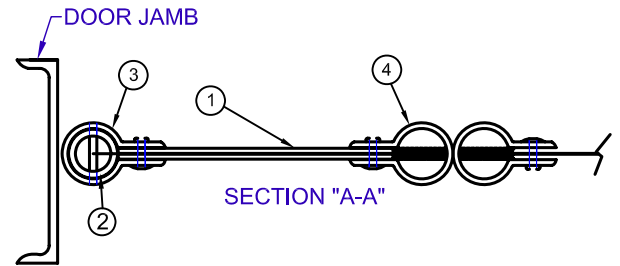
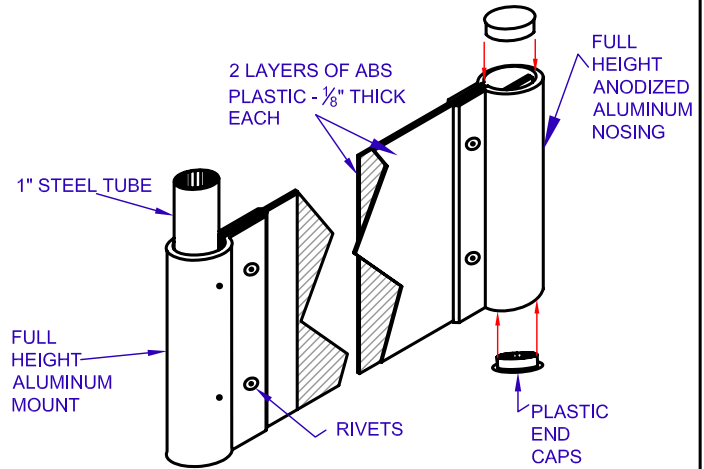
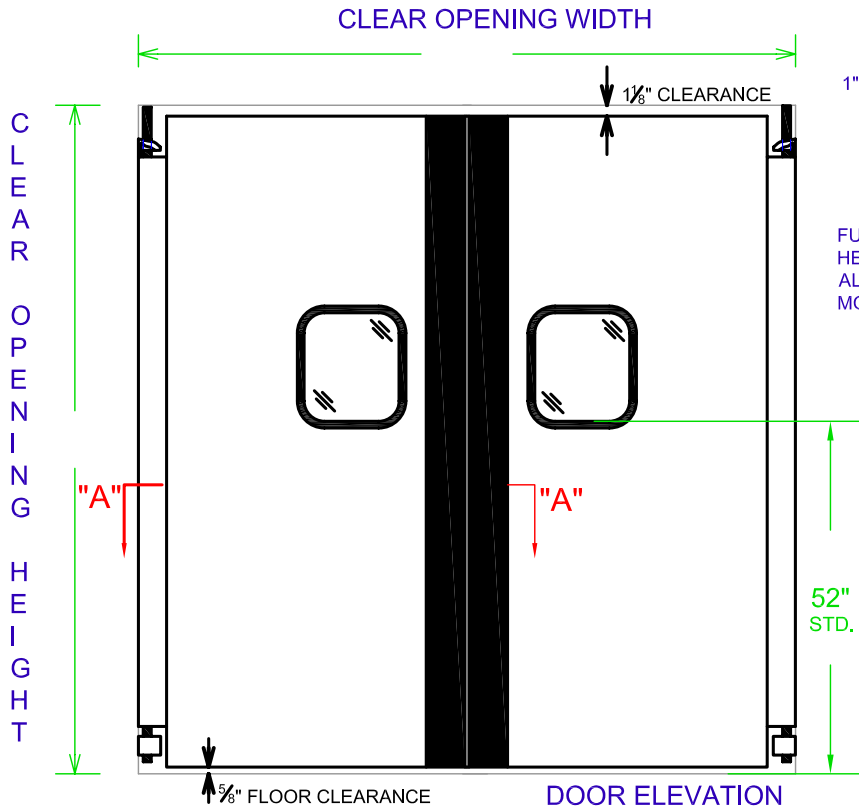


PERMA LITE<sup>TM</sup>

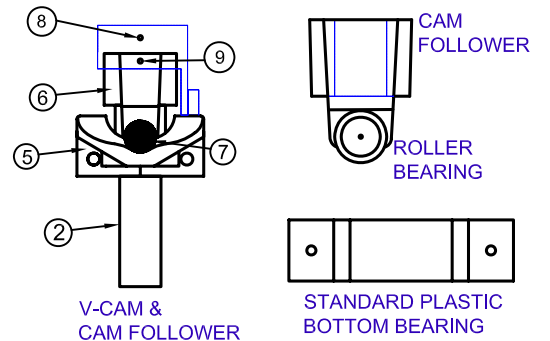
TRAFFIC DOOR



- STANDARD FEATURES:**
- 180° SWING, 1" RISE V-CAM GRAVITY HARDWARE
  - FULL HEIGHT MOUNT ASSEMBLY
  - FLEXIBLE CAM SHIELDS
  - ALUMINUM EXTRUDED TEARDROP NOSING
  - RIGID, 1/4" THICK
  - SOLID CORE
  - 1/8" ABS PLASTIC FACING

NOTE: DOOR SHOWN WITH 14" x 16" OPTIONAL WINDOW

MOUNTING HARDWARE



**SPECIFICATIONS:** NUMBER OF PAIRS: \_\_\_\_\_, COLOR: \_\_\_\_\_,  
DOOR SIZE: WIDTH \_\_\_\_\_, HEIGHT: \_\_\_\_\_

**OPTIONS:**

- BUMPERS \_\_\_\_\_, HEIGHT: \_\_\_\_\_
- VISION PANELS:  7" x 10" GASKETED SINGLE GLAZED  
 14" x 16"  
 22" x 22"
- IMPACT PANELS:  PAD  
COLOR: \_\_\_\_\_, HEIGHT: \_\_\_\_\_
- JAMB GUARDS: 1 1/8"
- FLEXIBLE CAM SHIELDS
- HOLD OPEN DEVICE
- FIXED COMPRESSION SPRING (FOR WIND & AIR LOADS)

NO.	DESCRIPTION
1	DOOR FACING - ABS PLASTIC - 1/8" THICK
2	1" STEEL TUBE
3	FULL HEIGHT ALUMINUM MOUNT
4	FULL HEIGHT ANODIZED ALUMINUM NOSING
5	V-CAM - 1" STANDARD
6	CAM FOLLOWER
7	ROLLER BEARING
8	ROLL PIN
9	SET SCREW

**PERMA TECH, INC.**  
 363 HAMBURG STREET • BUFFALO, NY 14204  
 (716) 854-0707 • 1-800-DOC-SEAL • (716) 854-0774 FAX  
[www.permatechinc.com](http://www.permatechinc.com)

CUSTOMER: \_\_\_\_\_  
 DEALER: \_\_\_\_\_ QUOTE #: \_\_\_\_\_  
 APPROVED BY SIGNATURE: \_\_\_\_\_