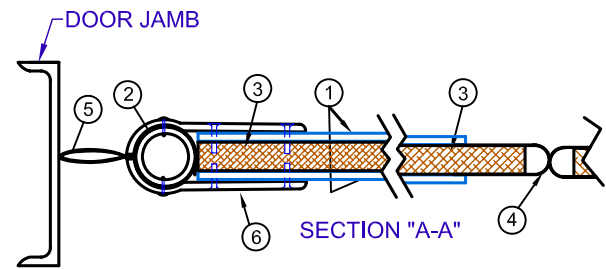
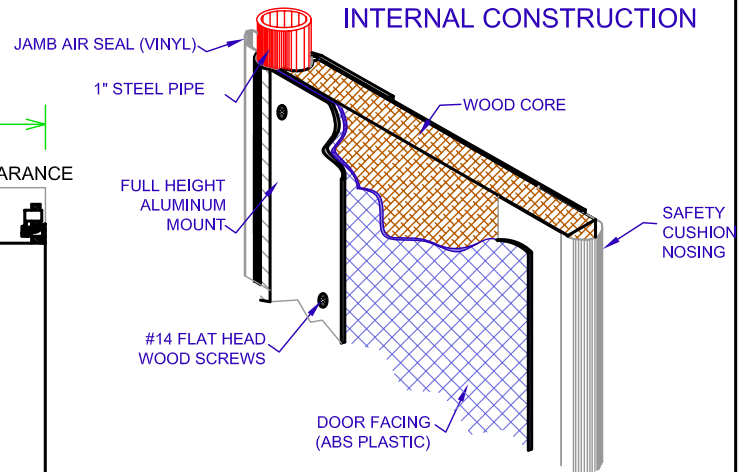
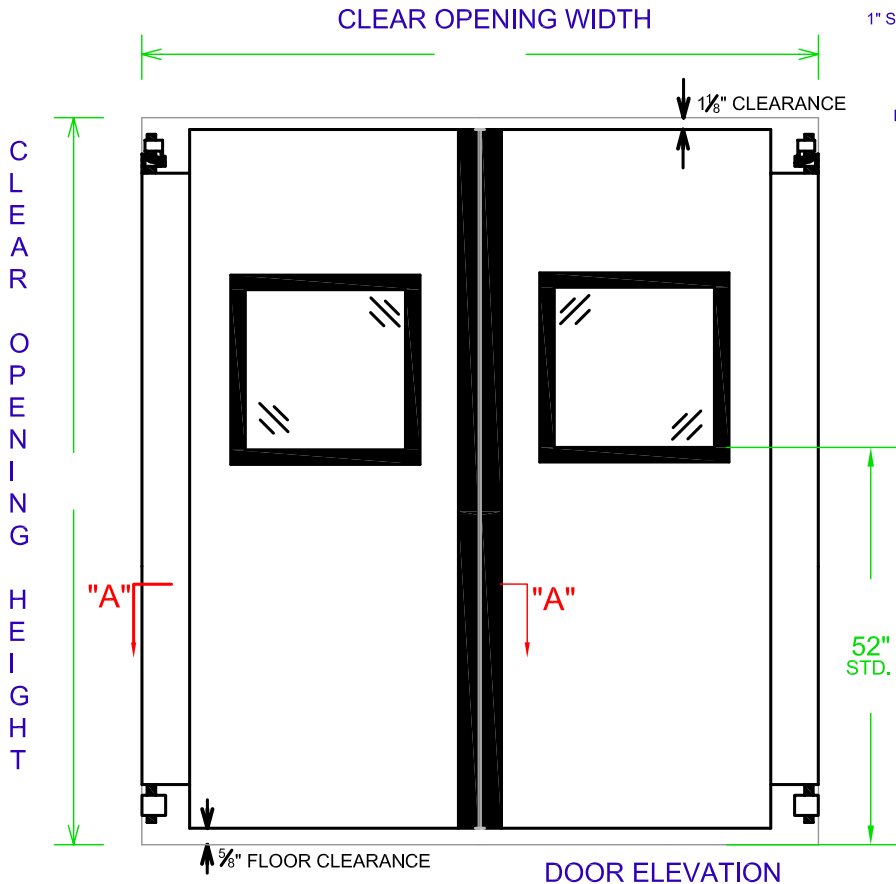
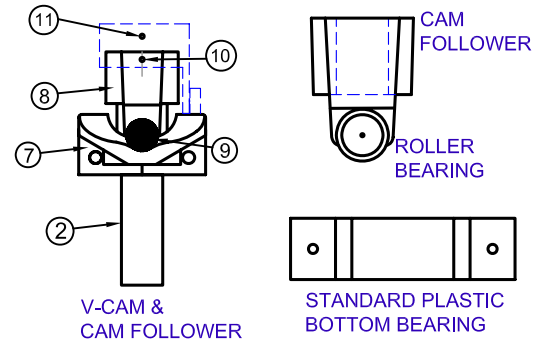


PERMA CORE™

TRAFFIC DOOR



MOUNTING HARDWARE



STANDARD FEATURES:

- 180° SWING, 1" RISE V-CAM GRAVITY HARDWARE
- FULL HEIGHT MOUNT ASSEMBLY
- FLEXIBLE CAM SHIELDS
- HEADER MOUNTED AIR SEAL
- JAMB AIR SEAL
- SEMI-RIGID, 3/4" THICK SOLID CORE
- 1/8" ABS PLASTIC FACING

NOTE: DOOR SHOWN WITH 22" x 22" OPTIONAL WINDOW

SPECIFICATIONS: NUMBER OF PAIRS: _____, COLOR: _____,
DOOR SIZE: WIDTH _____, HEIGHT: _____

OPTIONS:

- BUMPERS _____, HEIGHT: _____
- VISION PANELS: 7" x 10" DOUBLE GLAZED
 14" x 16" SINGLE GASKETED
 22" x 22"
- IMPACT PANELS: PAD WRAP AROUND
COLOR: _____, HEIGHT: _____
- BOTTOM AIR SEAL
- FULL AIR SEAL PACKAGE
- BLADE SEALS: TOP BOTTOM
- JAMB GUARDS: 11 1/8"
- FLEXIBLE CAM SHIELDS
- 3/4" CAM RISE
- WELD PLATES
- HOLD OPEN DEVICE
- FIXED COMPRESSION SPRING (FOR WIND & AIR LOADS)

NO.	DESCRIPTION
1	DOOR FACING - ABS PLASTIC - 1/8" THICK
2	1" STEEL TUBE
3	WOOD CORE
4	SAFETY CUSHION LOOP TYPE NOSING
5	JAMB AIR SEAL
6	FULL HEIGHT ALUMINUM MOUNT
7	V-CAM - 1" STANDARD
8	CAM FOLLOWER
9	ROLLER BEARING
10	ROLL PIN
11	SET SCREW



PERMA TECH, INC.

363 HAMBURG STREET • BUFFALO, NY 14204
(716) 854-0707 • 1-800-DOC-SEAL • (716) 854-0774 FAX
www.permatechinc.com

CUSTOMER: _____

DEALER: _____

QUOTE #: _____

APPROVED BY SIGNATURE: _____