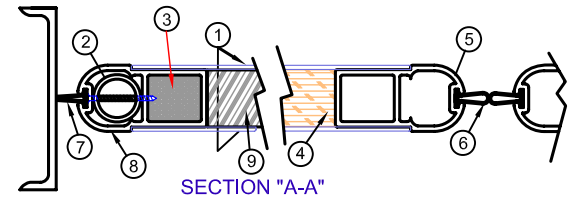
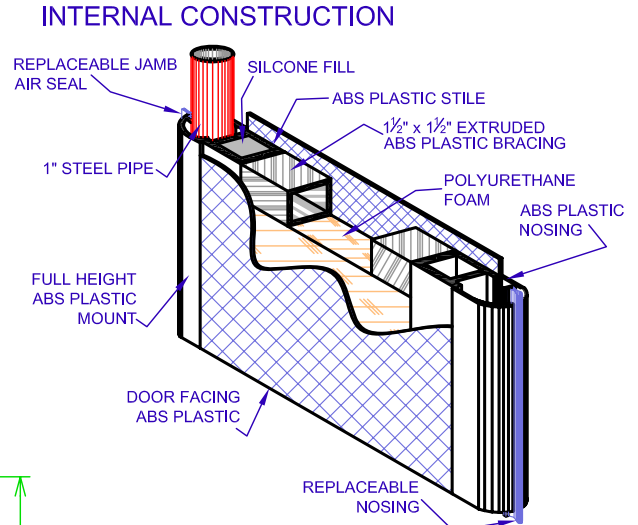
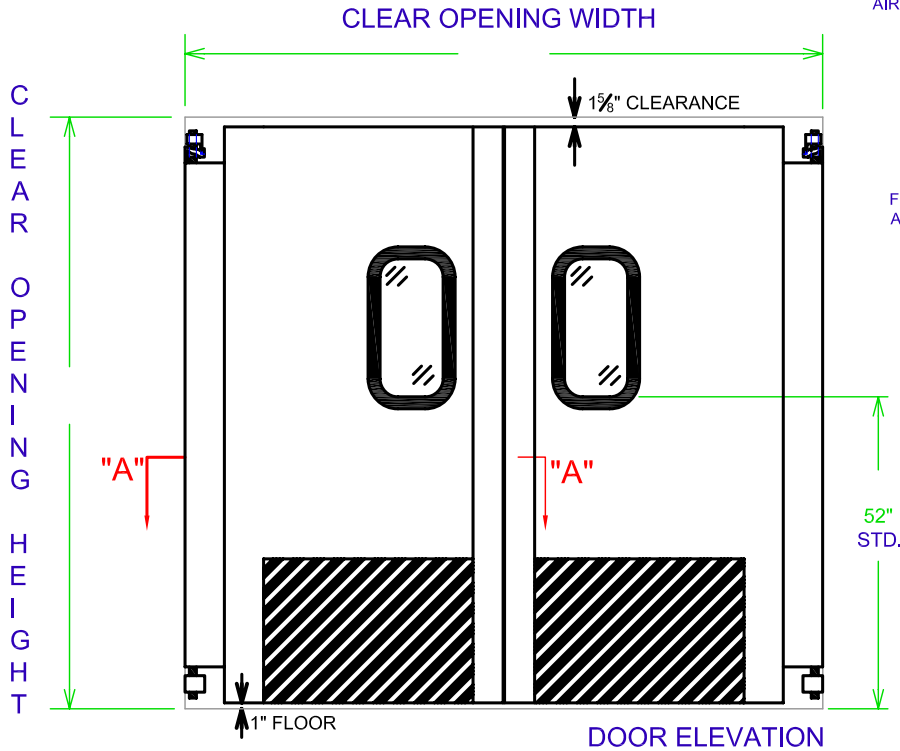
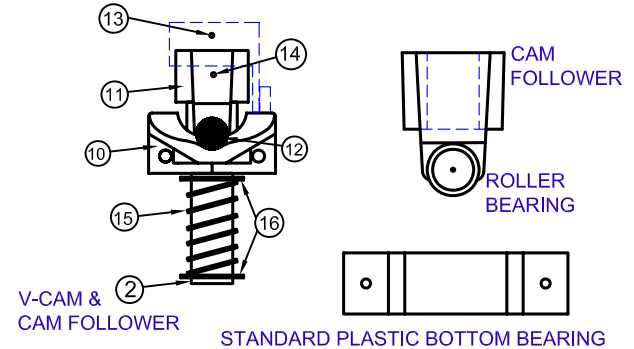


# PERMA UNI-SWING™ TRAFFIC DOOR



## MOUNTING HARDWARE



### STANDARD FEATURES:

- 180° SWING, 1 1/2" RISE V-CAM GRAVITY HARDWARE
- FULL HEIGHT MOUNT ASSEMBLY - FLUSH WITH FACING
- BLACK ABS PLASTIC CAM SHIELDS
- HEADER AIR SEAL ATTACHED TO PANEL
- JAMB AIR SEAL
- ABS PLASTIC NOSING WITH REPLACEABLE NOSE SEAL
- REPLACEABLE BOTTOM AND HARDWARE CUTOUT SEALS
- RIGID, 1 3/4" THICK
- UNITIZED ABS FRAME WITH INSULATED FOAM CORE
- ABS PLASTIC FACING
- VISION PANEL - FLUSH MOUNTED, 1/8" THICK, POLYCARBONATE, DOUBLE GLAZED, 10-1/2" x 23" STANDARD

**SPECIFICATIONS:** NUMBER OF PAIRS: \_\_\_\_\_ COLOR: \_\_\_\_\_  
DOOR SIZE: WIDTH \_\_\_\_\_ HEIGHT: \_\_\_\_\_

### OPTIONS:

- BUMPERS \_\_\_\_\_ HEIGHT: \_\_\_\_\_
- IMPACT PANELS:  PAD  WRAP AROUND  
COLOR: \_\_\_\_\_ HEIGHT: \_\_\_\_\_
- BOTTOM AIR SEAL
- FULL AIR SEAL PACKAGE
- BLADE SEALS:  TOP  BOTTOM
- JAMB GUARDS:  4"  11 1/8"
- RIGID CAM SHIELDS
- 3/4" CAM RISE
- WELD PLATES
- HOLD OPEN DEVICE
- FIXED COMPRESSION SPRING (FOR WIND & AIR LOADS)
- ADJUSTABLE SPRING COMPENSATOR (FOR WIND & AIR LOADS) WITH ALUMINUM BOTTOM BEARING & 11 1/8" JAMB GUARD MOUNTED UNDER V-CAM

NO.	DESCRIPTION
1	DOOR FACING - ABS PLASTIC - 1/8" THICK
2	1 1/16" STEEL TUBE
3	ABS PLASTIC STILE
4	URETHANE FOAM
5	ABS PLASTIC NOSING
6	REPLACEABLE NOSING
7	REPLACEABLE JAMB AIR SEAL
8	FULL HEIGHT ABS PLASTIC MOUNT
9	1 1/2" x 1 1/2" EXTRUDED ABS PLASTIC BRACING
10	V-CAM - 1 1/2" STANDARD
11	CAM FOLLOWER
12	ROLLER BEARING
13	ROLL PIN
14	SET SCREW
15	COMPRESSION SPRING (OPTIONAL)
16	FLAT WASHERS (OPTIONAL)



## PERMA TECH, INC.

363 HAMBURG STREET • BUFFALO, NY 14204  
(716) 854-0707 • 1-800-DOC-SEAL • (716) 854-0774 FAX  
[www.permatechinc.com](http://www.permatechinc.com)

CUSTOMER: \_\_\_\_\_

DEALER: \_\_\_\_\_ QUOTE #: \_\_\_\_\_

APPROVED BY SIGNATURE: \_\_\_\_\_