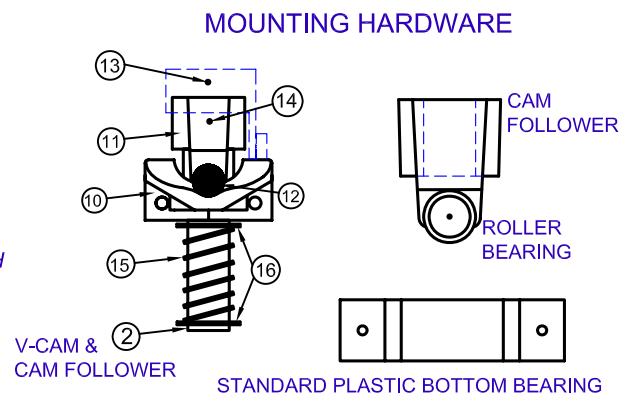
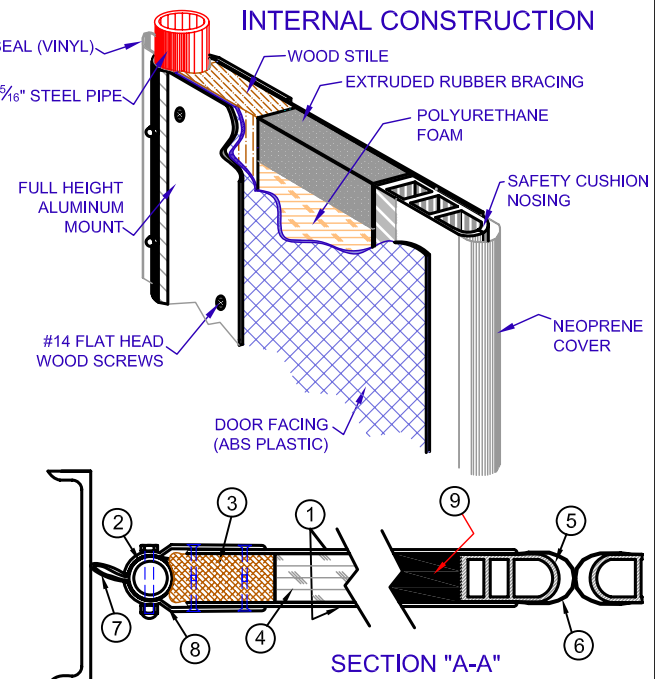
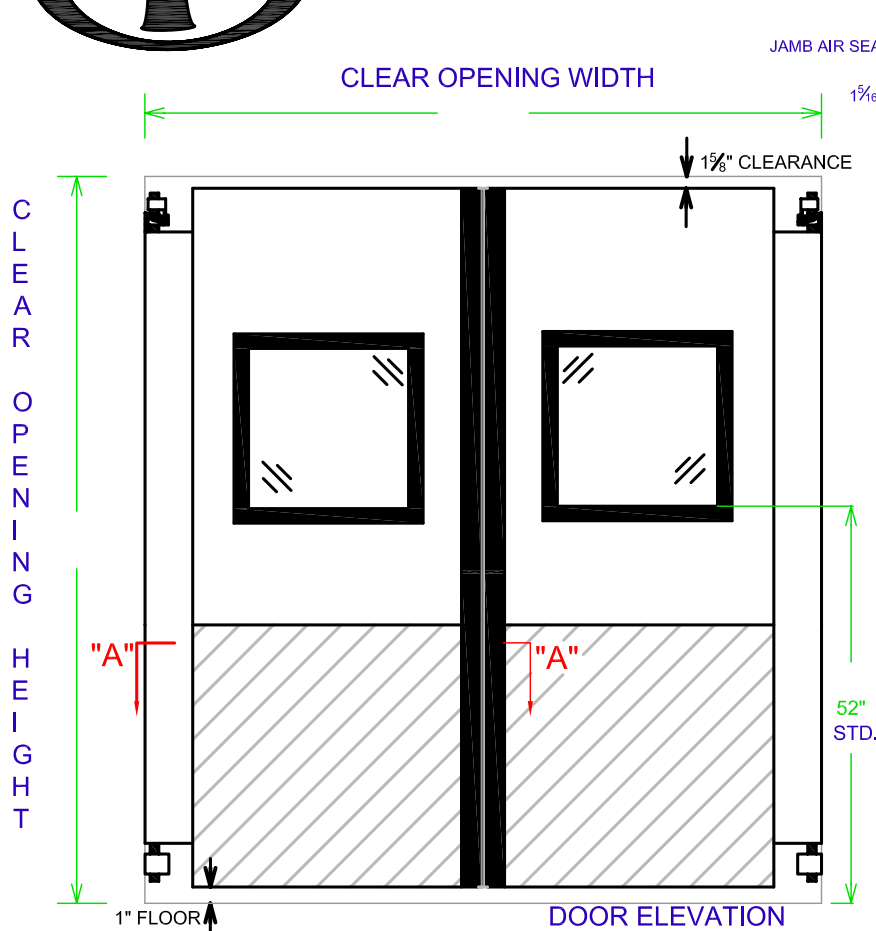




# PERMA SWING<sup>TM</sup> TRAFFIC DOOR



- STANDARD FEATURES:**
- 180° SWING, 1 1/2" RISE V-CAM GRAVITY HARDWARE
  - FULL HEIGHT MOUNT ASSEMBLY
  - BLACK ABS PLASTIC CAM SHIELDS
  - DOOR MOUNTED HEADER AIR SEAL
  - JAMB AIR SEAL
  - SAFETY CUSHION NOSING WITH LOOP NOSE SEAL
  - SEMI-RIGID, 1 3/4" THICK
  - INSULATED CORE
  - ABS PLASTIC FACING

*NOTE: DOOR SHOWN WITH 22" x 22" OPTIONAL WINDOW*

**SPECIFICATIONS:** NUMBER OF PAIRS: \_\_\_\_\_ COLOR: \_\_\_\_\_  
DOOR SIZE: WIDTH \_\_\_\_\_ HEIGHT: \_\_\_\_\_

- OPTIONS:**
- BUMPERS \_\_\_\_\_ HEIGHT: \_\_\_\_\_
  - VISION PANELS: (FLUSH MOUNTED, 1/8" THICK, POLYCARBONATE, DOUBLE GLAZED)
    - 7" x 10"       22" x 22"
    - 14" x 16"     10 1/2" x 23" "SNAP-IN"
  - IMPACT PANELS:  PAD       WRAP AROUND  
COLOR: \_\_\_\_\_ HEIGHT: \_\_\_\_\_
  - BOTTOM AIR SEAL
  - FULL AIR SEAL PACKAGE
  - BLADE SEALS:  TOP       BOTTOM
  - JAMB GUARDS:  4"       11 1/8"
  - RIGID CAM SHIELDS
  - 3/4" CAM RISE
  - WELD PLATES
  - HOLD OPEN DEVICE
  - FIXED COMPRESSION SPRING (FOR WIND & AIR LOADS)
  - ADJUSTABLE SPRING COMPENSATOR (FOR WIND & AIR LOADS) WITH ALUMINUM BOTTOM BEARING & 1 1/8" JAMB GUARD MOUNTED UNDER V-CAM

NO.	DESCRIPTION
1	DOOR FACING - ABS PLASTIC - 1/8" THICK
2	1 1/8" STEEL TUBE
3	WOOD STILE
4	URETHANE FOAM
5	SAFETY CUSHION NOSING
6	LOOP NOSING
7	JAMB AIR SEAL
8	FULL HEIGHT ALUMINUM MOUNT
9	1 1/2" x 1 1/2" EXTRUDED RUBBER BRACING
10	V-CAM - 1 1/2" STANDARD
11	CAM FOLLOWER
12	ROLLER BEARING
13	ROLL PIN
14	SET SCREW
15	COMPRESSION SPRING (OPTIONAL)
16	FLAT WASHERS (OPTIONAL)

**PERMA TECH, INC.**  
363 HAMBURG STREET • BUFFALO, NY 14204  
(716) 854-0707 • 1-800-DOC-SEAL • (716) 854-0774 FAX  
[www.permatechinc.com](http://www.permatechinc.com)

CUSTOMER: \_\_\_\_\_

DEALER: \_\_\_\_\_ QUOTE #: \_\_\_\_\_

APPROVED BY SIGNATURE: \_\_\_\_\_