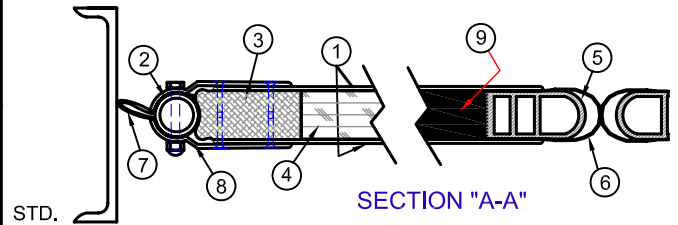
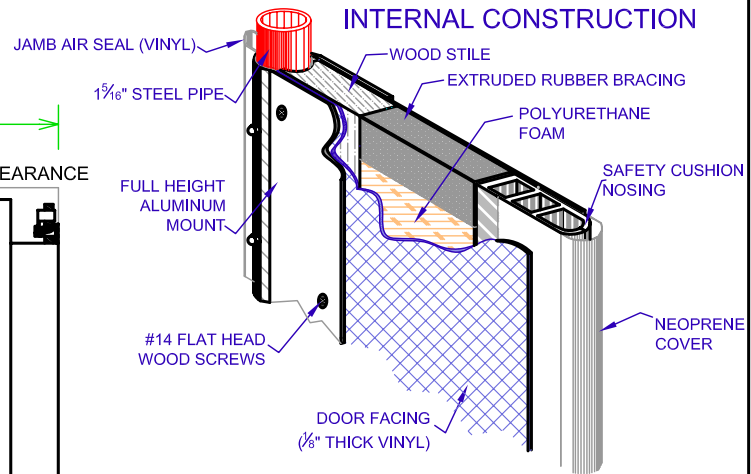
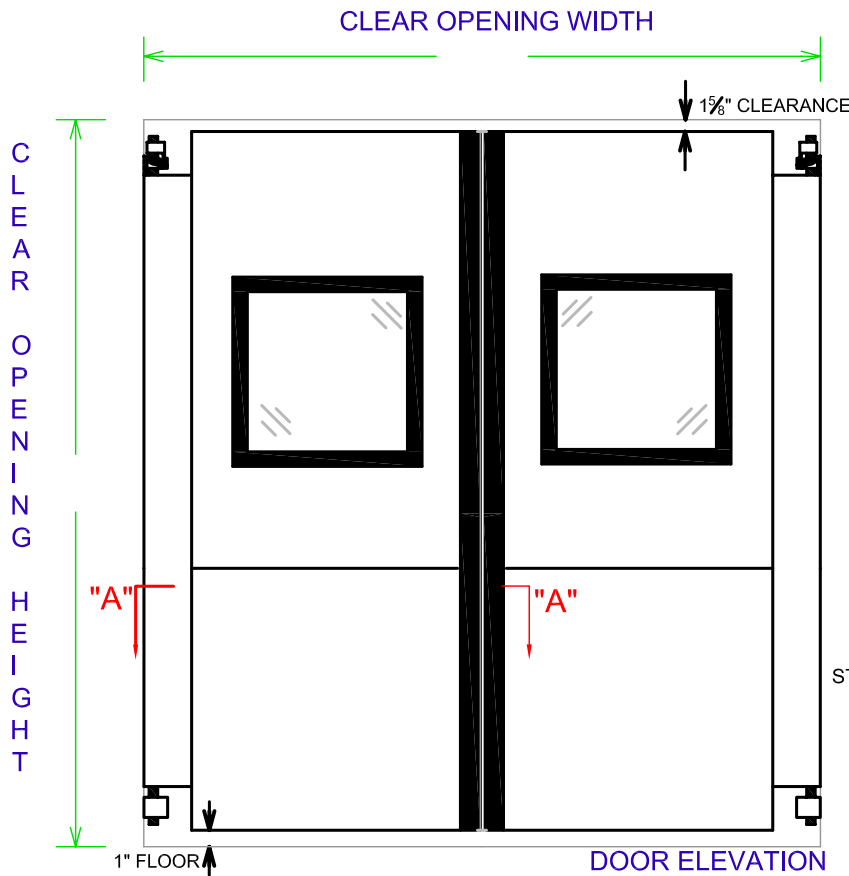
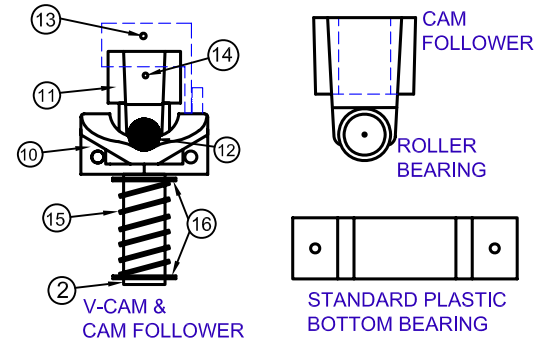


PERMA FLEXTM

TRAFFIC DOOR



MOUNTING HARDWARE



STANDARD FEATURES:

- 180° SWING, 1½" RISE V-CAM GRAVITY HARDWARE
- FULL HEIGHT MOUNT ASSEMBLY
- ABS CAM SHIELDS
- HEADER MOUNTED AIR SEAL
- JAMB AIR SEAL
- FLEXIBLE, FULL 1¼" THICK INSULATED CORE
- ½" REINFORCED VINYL FACING

NOTE: DOOR SHOWN WITH 22" x 22" OPTIONAL WINDOW

SPECIFICATIONS: NUMBER OF PAIRS: _____ COLOR: _____
DOOR SIZE: WIDTH _____ HEIGHT: _____

OPTIONS:

- BUMPERS _____ HEIGHT: _____
- VISION PANELS: (FLUSH MOUNTED, ½" THICK, POLYCARBONATE, DOUBLE GLAZED)
 - 7" x 10" 22" x 22"
 - 14" x 16"
- IMPACT PANELS: PAD WRAP AROUND
COLOR: _____ HEIGHT: _____
- BOTTOM AIR SEAL
- FULL AIR SEAL PACKAGE
- BLADE SEALS: TOP BOTTOM
- JAMB GUARDS: 4" 11½"
- RIGID CAM SHIELDS
- ¾" CAM RISE
- WELD PLATES
- HOLD OPEN DEVICE
- FIXED COMPRESSION SPRING (FOR WIND & AIR LOADS)
- ADJUSTABLE SPRING COMPENSATOR (FOR WIND & AIR LOADS) WITH ALUMINUM BOTTOM BEARING

NO.	DESCRIPTION
1	DOOR FACING - ½" THICK VINYL
2	1 1/8" STEEL TUBE
3	WOOD STILE
4	URETHANE FOAM
5	SAFETY CUSHION NOSING
6	LOOP NOSING
7	JAMB AIR SEAL
8	FULL HEIGHT ALUMINUM MOUNT
9	1 1/2" x 1 1/2" EXTRUDED RUBBER BRACING
10	V-CAM - 1 1/2" STANDARD
11	CAM FOLLOWER
12	ROLLER BEARING
13	ROLL PIN
14	SET SCREW
15	COMPRESSION SPRING (OPTIONAL)
16	FLAT WASHERS (OPTIONAL)



PERMA TECH, INC.

363 HAMBURG STREET • BUFFALO, NY 14204
(716) 854-0707 • 1-800-DOC-SEAL • (716) 854-0774 FAX
www.permatechinc.com

CUSTOMER: _____

DEALER: _____ QUOTE #: _____

APPROVED BY SIGNATURE: _____