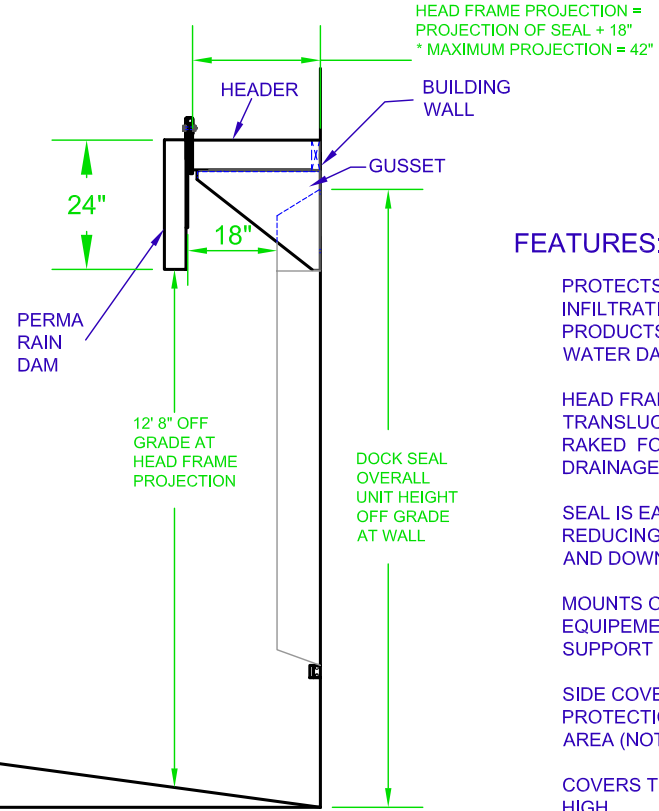
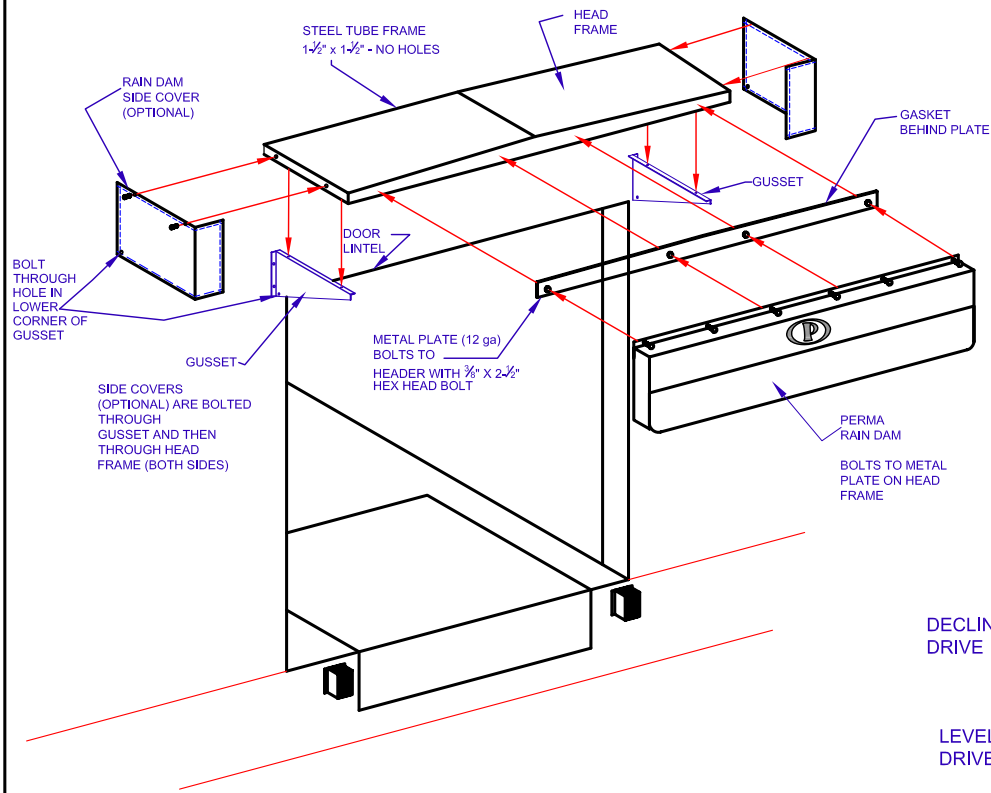


RAIN DAM SPECIFICATION SHEET



FEATURES:

PROTECTS DOCK FROM MOISTURE INFILTRATION, KEEPING PRODUCTS SAFE FROM COSTLY WATER DAMAGE

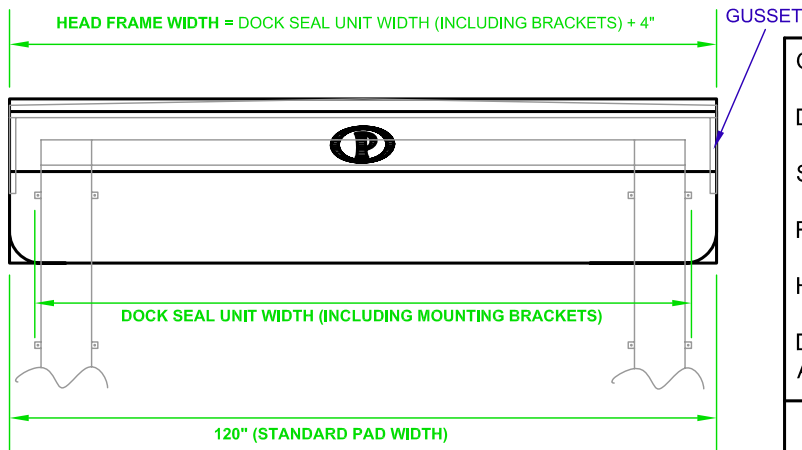
HEAD FRAME MADE OF TRANSLUCENT FIBERGLASS, RAKED FOR FAST WATER DRAINAGE

SEAL IS EASILY REPLACEABLE, REDUCING MAINTENANCE COSTS AND DOWN TIME

MOUNTS OVER EXISTING EQUIPEMENT WITH RUGGED SUPPORT BRACKETS

SIDE COVERS PROVIDE EXTRA PROTECTION FOR THE DOCK AREA (NOT SHOWN)

COVERS TRUCKS 12' 9" TO 13' 6" HIGH



QUANTITY: _____

DOCK SEAL: _____ WIDTH, _____ HEIGHT

SEAL PROJECTION: _____ TOP, _____ BOTTOM

RAIN DAM PROJECTION: _____

HEAD FRAME WIDTH: _____

DOCK SEAL OVERALL UNIT HEIGHT OFF GRADE AT WALL _____

DOOR SIZE: _____ WIDTH, _____ HEIGHT

DOCK HEIGHT: _____

APPROACH: LEVEL DECLINE INCLINE
 _____ " DIFFERENCE IN 50'-0"

HEAD FRAME MATERIAL: WOOD STEEL

BASE FABRIC: _____, COLOR _____

SPECIAL INFORMATION



PERMA TECH, INC.
 363 HAMBURG STREET • BUFFALO, NY 14204
 (716) 854-0707 • 1-800-DOC-SEAL
www.permatechinc.com

JOB: _____

DEALER: _____

CONTACT: _____

QUOTE #: _____

APPROVED BY SIGNATURE: _____