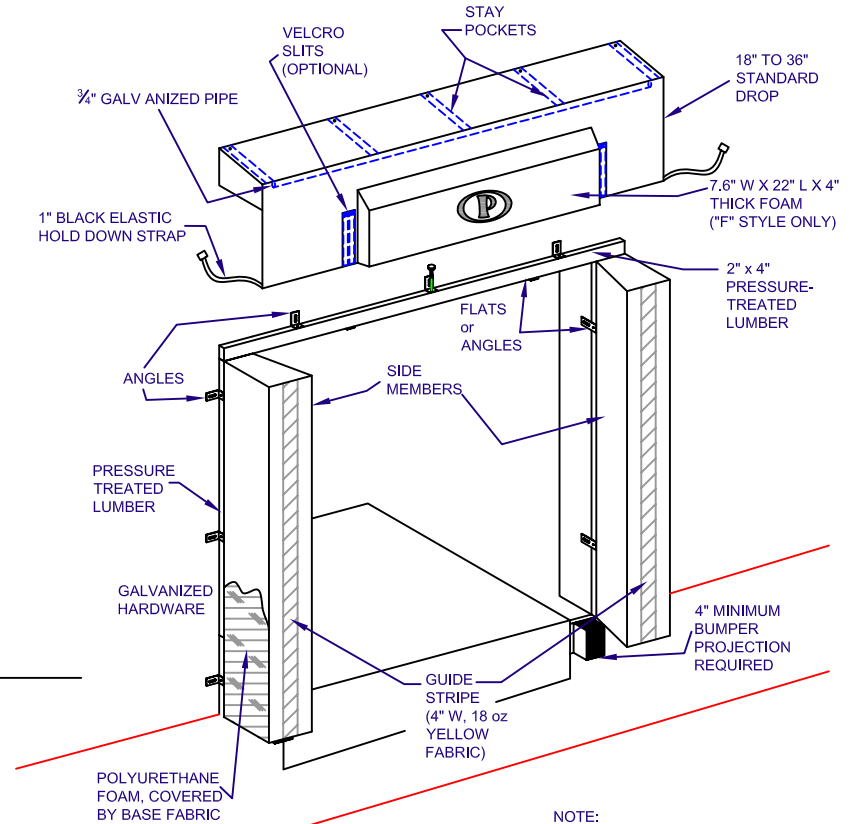
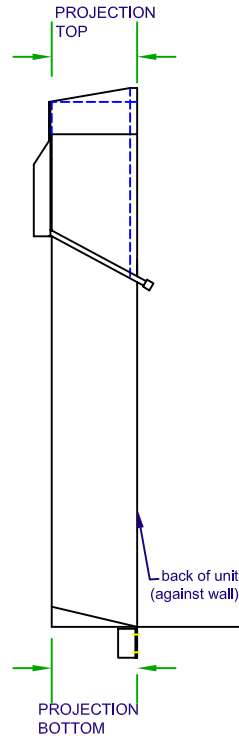
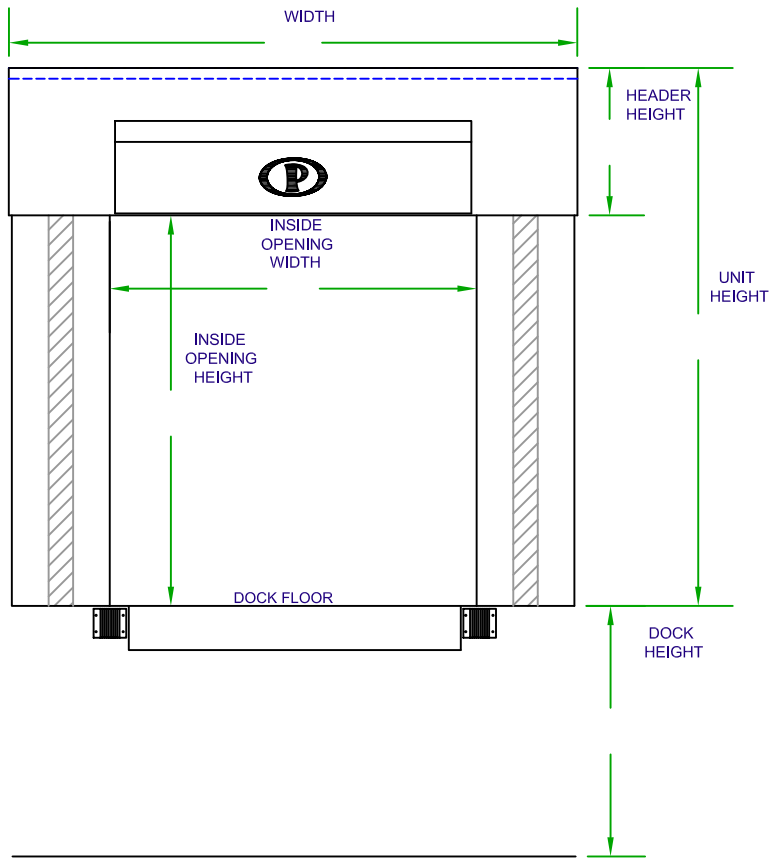


# "F" (FOAM) HEADER DOCK SEAL SPECIFICATION SHEET

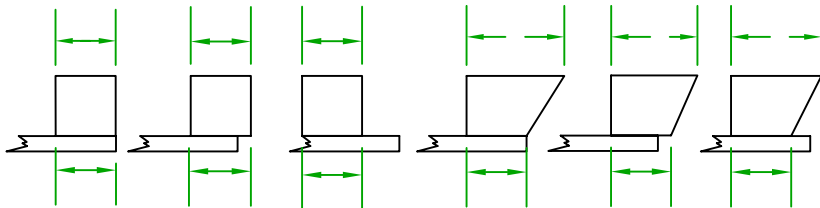


DESIGNED FOR DOORS 9' OR HIGHER

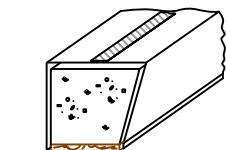
NOTE: LOCATION OF ANGLES & FLATS DETERMINED BY INSTALLER TO SUIT WALL CONFIGURATIONS.

SIDE PAD MOUNTING VARIATIONS: CIRCLE ONE:

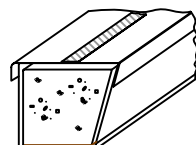
ENTER SIDE PAD FACE WIDTH:



ENTER SIDE PAD BASE WIDTH:



SINGLE BASE FABRIC



BASE FABRIC WITH CONTACT FACE

QUANTITY: \_\_\_\_\_, MODEL: \_\_\_\_\_  
 UNIT SIZE: \_\_\_\_\_ WIDTH, \_\_\_\_\_ HEIGHT  
 HEAD CURTAIN: \_\_\_\_\_ WIDTH, \_\_\_\_\_ DROP  
 INSIDE OPENING WIDTH: \_\_\_\_\_  
 INSIDE OPENING HEIGHT: \_\_\_\_\_  
 PROJECTION: \_\_\_\_\_ TOP, \_\_\_\_\_ BOTTOM  
 SIDE PAD: \_\_\_\_\_ HEIGHT, \_\_\_\_\_ WEDGE  
 CHAIN FLAP: \_\_\_\_\_ WIDTH, \_\_\_\_\_ LENGTH  
 BASE FABRIC: \_\_\_\_\_, COLOR: \_\_\_\_\_  
 FACE FABRIC: \_\_\_\_\_, COLOR: \_\_\_\_\_

DOOR SIZE: \_\_\_\_\_ WIDTH, \_\_\_\_\_ HEIGHT  
 DOCK HEIGHT: \_\_\_\_\_, BUMPER PROJECTION: \_\_\_\_\_

APPROACH:  LEVEL  DECLINE  INCLINE  
 \_\_\_\_\_ " DIFFERENCE IN 50'-0"

OPTIONS:

- VELCRO SLIT: \_\_\_\_\_ HEIGHT.
- 3 ROPE PULL-UP
- UNIT SUPPORT FRAME:  WOOD  STEEL
- INSIDE WRAP - MATERIAL: \_\_\_\_\_, HEIGHT: \_\_\_\_\_.

## SPECIAL INFORMATION



**PERMA TECH, INC.**

363 HAMBURG STREET • BUFFALO, NY 14204  
 (716) 854-0707 • 1-800-DOC-SEAL  
[www.permatechinc.com](http://www.permatechinc.com)

JOB: \_\_\_\_\_

DEALER: \_\_\_\_\_

CONTACT: \_\_\_\_\_

QUOTE #: \_\_\_\_\_

APPROVED BY SIGNATURE: \_\_\_\_\_