

LIMITED PRODUCT WARRANTY

Perma Tech, Inc. warrants the material and workmanship in any product manufactured by Perma Tech, Inc. for a period of one year from the date of shipment to customer if properly installed, maintained and used. This limited warranty shall not apply in the event of misuse or modification by customer or to materials not manufactured and installed by Perma Tech, Inc.

In the event of any defects covered by this warranty, Perma Tech, Inc. will remedy such defects by repairing or replacing at its expense any defective products or, at its option, refunding the original purchase price excluding installation, freight and tax. This shall be customer's exclusive remedy for all claims whether based on warranty, contract, negligence, strict liability or other legal theory.

Written notice of any claim must be made within the warranty period by first class mail or personal delivery to a suitable person at Perma Tech's office at 363 Hamburg Street, Buffalo, New York 14204. Notice of delivery by e-mail or fax is not acceptable.

PERMA TECH, INC. EXPRESSLY DISCLAIMS AND CUSTOMER WAIVES ALL IMPLIED WARRANTIES INCLUDING WITHOUT LIMITATION, ANY IMPLIED WARRANTIES OF MERCHANTABILITY OR FITNESS FOR A PARTICULAR PURPOSE. PERMA TECH, INC. SHALL NOT IN ANY EVENT BE LIABLE FOR AND CUSTOMER WAIVES ANY INCIDENTAL, CONSEQUENTIAL OR PUNITIVE DAMAGES OF ANY KIND TO CUSTOMER OR ANY THIRD PARTY, INCLUDING WITHOUT LIMITATION DAMAGES FOR LOST PROFITS, EVEN IF ADVISED OF SAME.



PERMA TECH, INC.

363 HAMBURG STREET
BUFFALO, NEW YORK 14204

PHONE: (716) 854-0707

FAX: (716) 854-0774

1-800-362-7325

WWW.PERMATECHINC.COM

**DOORS WITH 1-1/2" OR 3/4"
V-CAM & COMBO BOTTOM
BEARING / JAMB GUARD**

INSTALLATION INSTRUCTIONS

NOTE:

CHECK SHIPPING CONTAINERS BEFORE RELEASING CARRIER.
NOTIFY CARRIER IMMEDIATELY UPON DISCOVERING ANY CONCEALED DAMAGE.

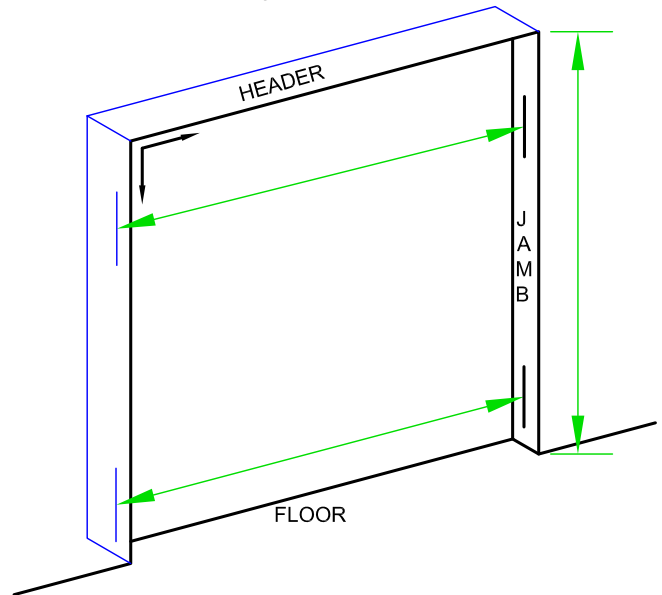
WARNING

DO NOT INSTALL THIS PRODUCT UNLESS YOU READ AND UNDERSTAND THE WARNINGS AND INSTALLATION INSTRUCTIONS CONTAINED IN THIS MANUAL.
FAILURE TO DO SO COULD RESULT IN SERIOUS INJURY OR DEATH.

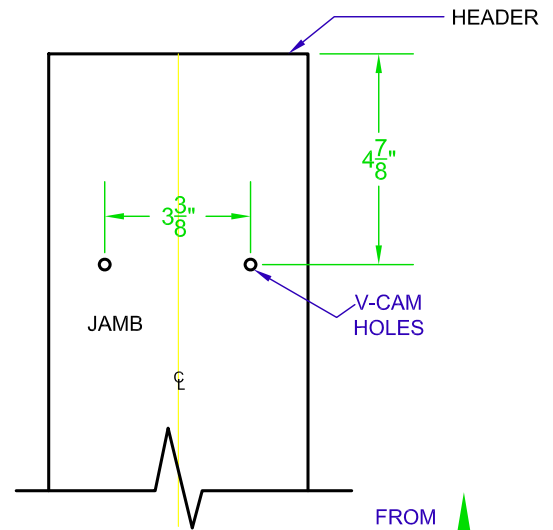
INSTALLATION INSTRUCTIONS

NOTE: Check shipping containers before releasing carrier. Notify carrier immediately upon discovering any concealed damage.

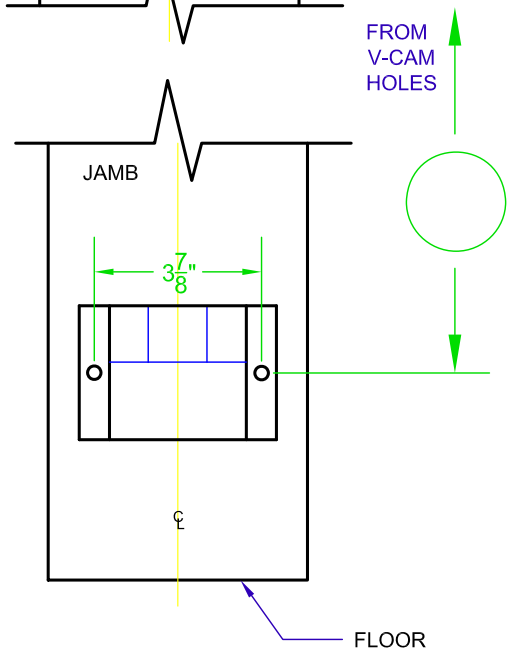
1. Make sure jambs are plumb and square.
Jamb recommendation: minimum 6" wide
X $\frac{5}{16}$ " thick (steel)

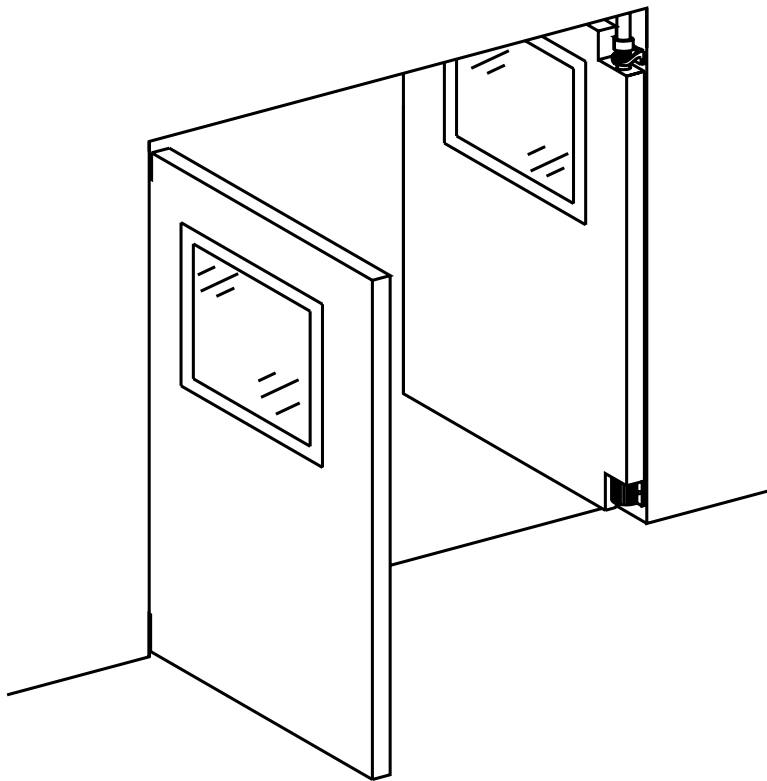
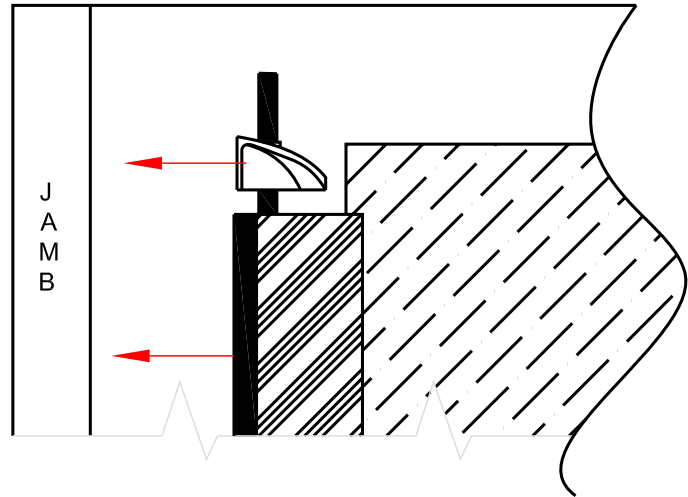
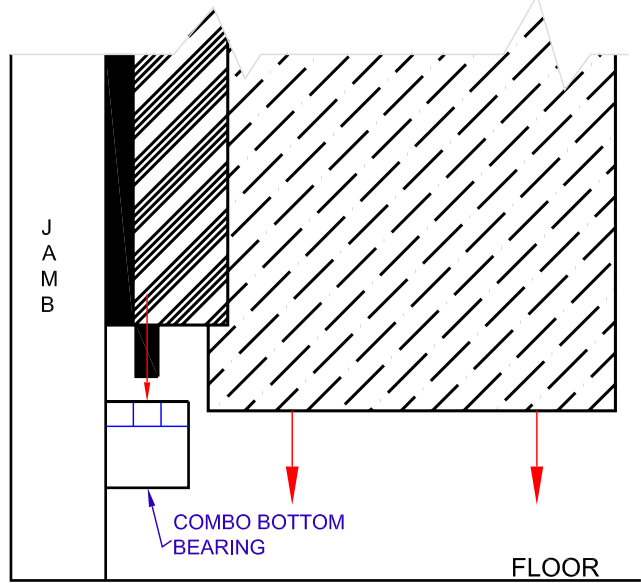


2. Drill and tap Top V-Cam holes ($\frac{5}{16}$ " drill - $\frac{3}{8}$ " tap)



3. Drill and tap bottom bearing holes ($\frac{5}{16}$ " drill - $\frac{3}{8}$ " tap). Locate bottom bearing holes from V-Cam holes, centerline to centerline (see diagram)





doors do not swing
 Drill and tap
 bottom bearing holes ($\frac{32}{14}$ " drill - $\frac{32}{14}$ " tap). Locate
 bottom bearing holes from V-Cam holes,
 centerline to centerline (see diagram)