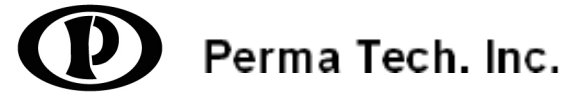
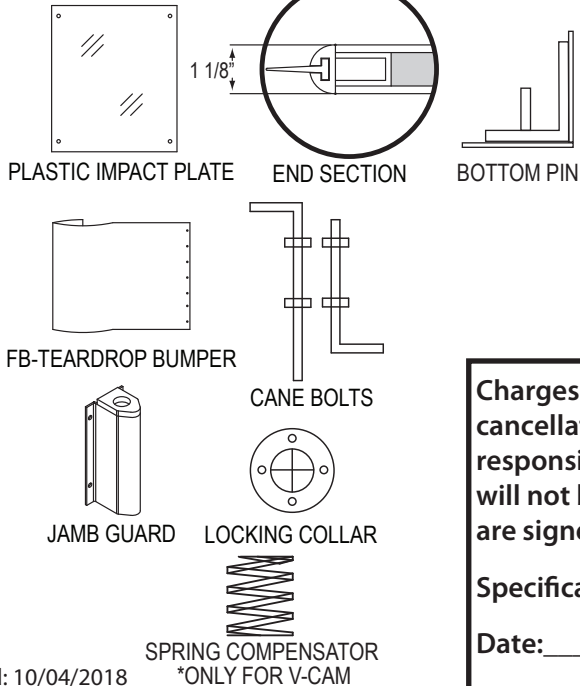
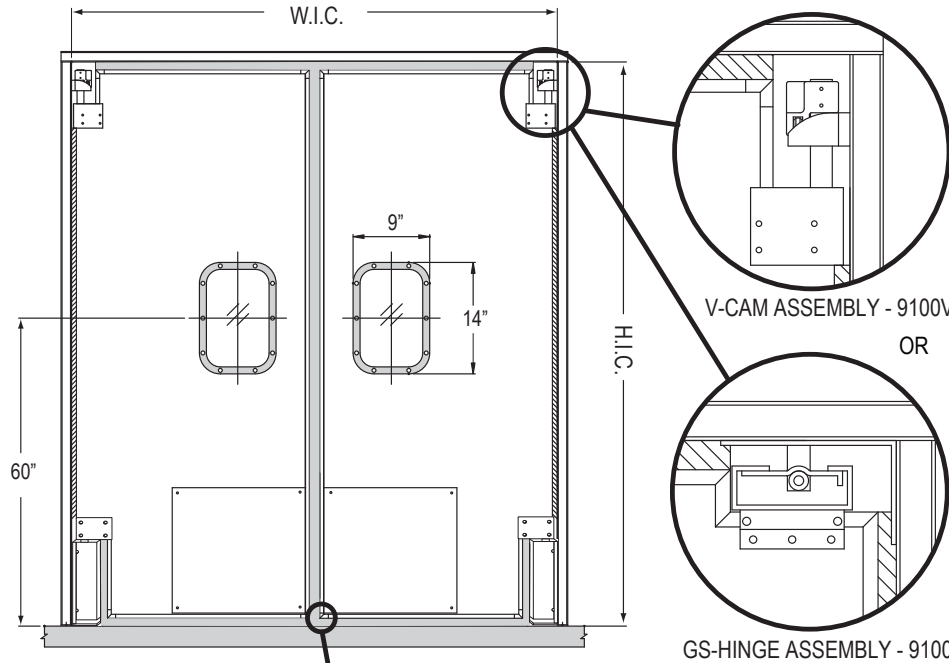


# DOUBLE ACTING "RIGID INSULATED" TRAFFIC DOORS



363 Hamburg Street, Buffalo, NY 14204  
 Tel: 716-854-0707 Fax: 716-854-0774  
 Sales@PermaTechInc.com www.PermaTechInc.com



Doors to be constructed from welded aluminum infrastructure with thermo-plastic facings.

Standard features are:

- GS Hinge - Bottom Pin - 9100
- V-cam Hinge - 10" Jamb Guards - 9100V
- 9"x14" Vacuum formed Window Frames.
- Full height reinforced hinge structure.
- Fully insulated, 1" thick panels.

**\*CAFE DOOR ON SEPARATE SPEC SHEET.**

**Charges will be assumed by buyer for changes or cancellations to work in process. Buyer hereby accepts responsibility for all sizes and dimensions. This order will not be processed until all acknowledgement forms are signed and returned.**

Specification accepted by: \_\_\_\_\_

Date: \_\_\_\_\_

## DOOR SPECIFICATION

Opening Width \_\_\_\_\_ x Height \_\_\_\_\_

Qty. \_\_\_\_\_

BI-PARTING

SINGLE PANEL

L

R

## THERMOPLASTIC FACINGS COLOR OPTIONS

WHITE	BLACK	BEIGE
GREEN	BROWN	RED
CANYON BLUE	LT. GRAY	DK. GRAY

UPGRADE TO STAINLESS STEEL FACING

## IMPACT PLATES (STANDARD BLACK ABS)

PL12"	PL18"	PL24"
PL30"	PL36"	PL42"
PL48"		

## OTHER IMPACT OPTIONS

STAINLESS STEEL    ALUM. DIAMOND TREAD PLATE

## TEARDROP BUMPER (STANDARD BLACK HDPE)

FB12"	FB18"	FB24"	FB30"
FB36"	FB42"	FB48"	

## WINDOW SIZES

9"x14" (STANDARD)	14"x16"
22"x 22"	10"x30"

## HARDWARE OPTIONS

JG 10" SS  
 SPRING COMPENSATORS  
 CANE BOLTS  
 WASH DOWN

## PT - 9100 OR 9100V

JOB NAME/LOCATION

CUSTOMER/LOCATION

CUST. ORDER NO.

CUST. PO ORDER NO.