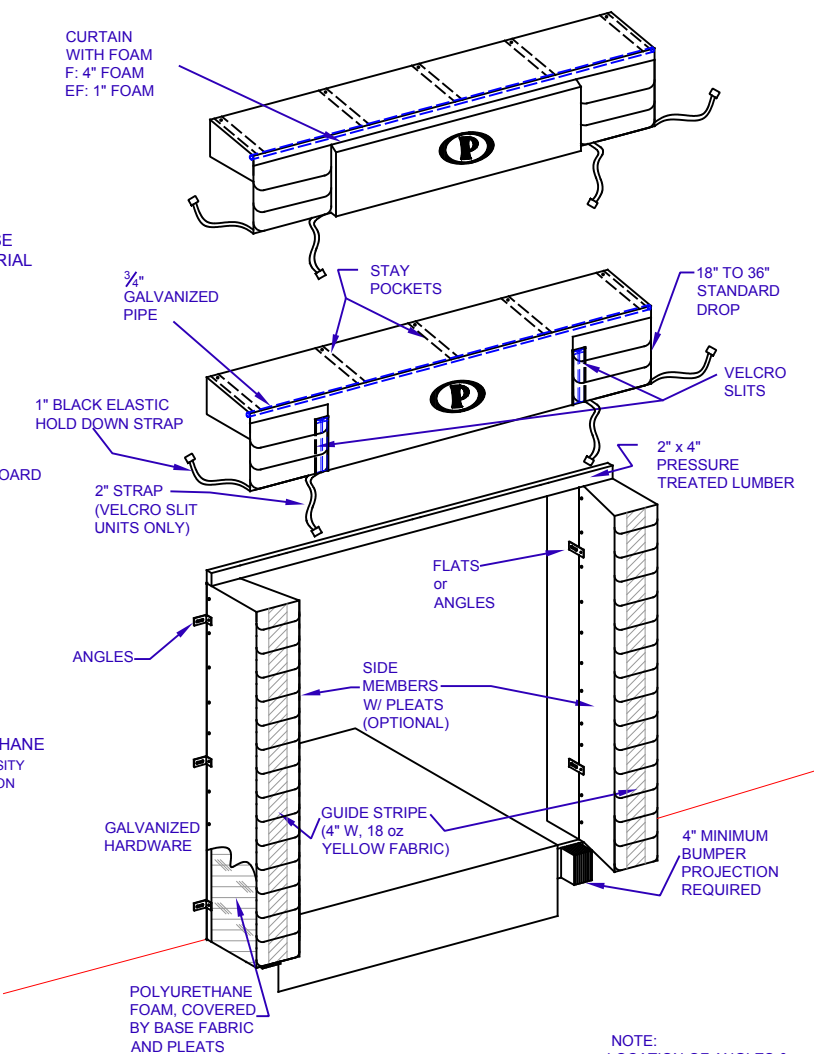
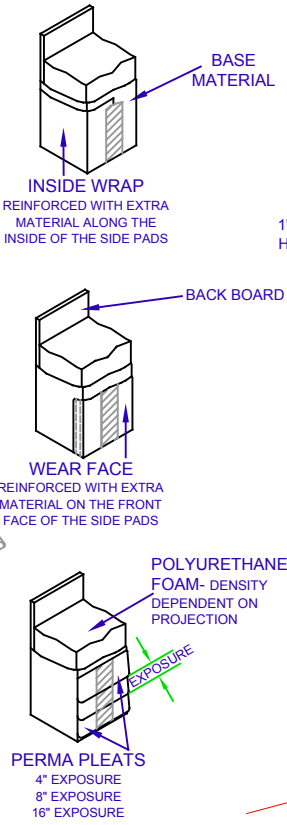
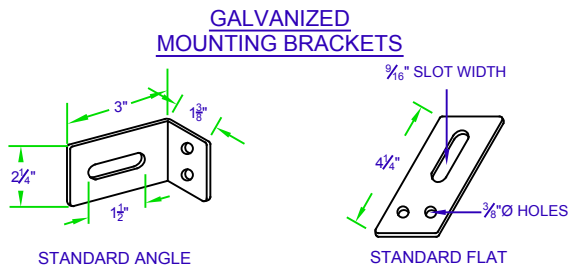
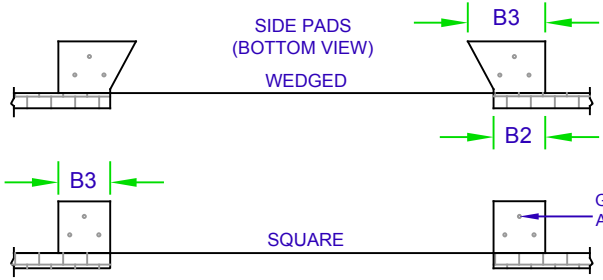
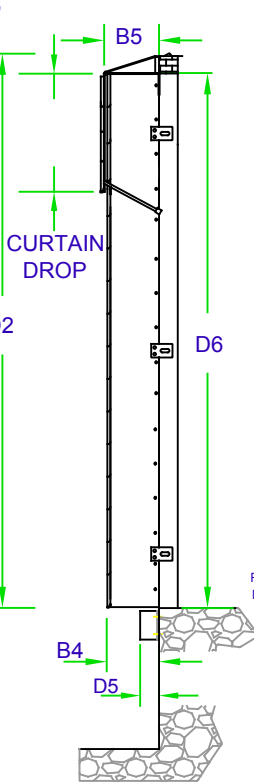
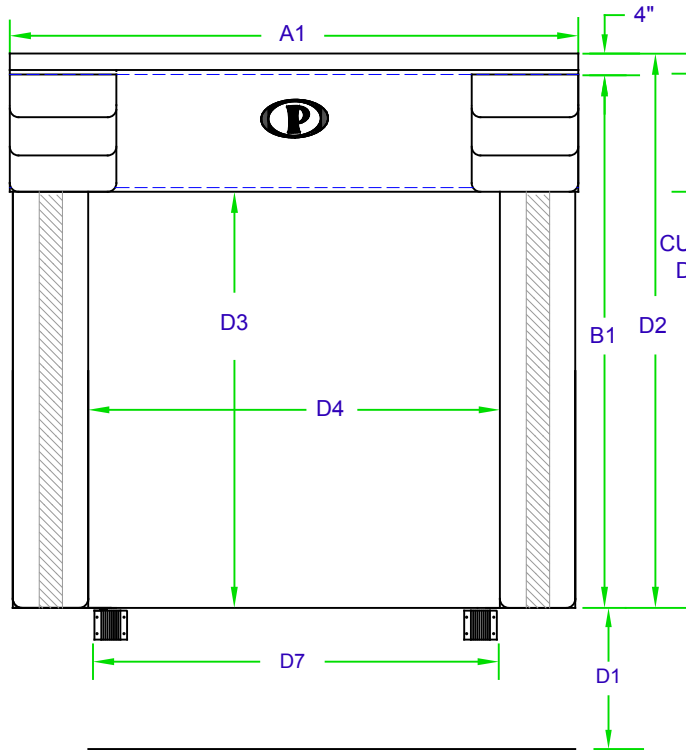


# PERMA ORIGINAL DOCK SEAL: F-SERIES HEAD CURTAIN

(F: 4" FOAM, EF: 1" FOAM, NF: NO FOAM)



NOTE: LOCATION OF ANGLES & FLATS DETERMINED BY INSTALLER TO SUIT WALL CONFIGURATIONS.

DIMS.		HEAD CURTAIN DATA:		GENERAL INFO:	
A1-	" LENGTH	MATERIAL-		DIMS.	APPROACH- DECLINE: <input type="checkbox"/> INCLINE: <input type="checkbox"/> LEVEL: <input type="checkbox"/>
CURTAIN DROP-	"	PERMA PLEATS:	<input type="checkbox"/>	D1-	" DOCK HEIGHT FROM GROUND
VELCRO SLITS:	"	PLEAT MATERIAL-		D2-	" ENTIRE UNIT HEIGHT
B5-	" PROJECTION	EXPOSURE-		D3-	" INSIDE OPENING HEIGHT
3 ROPE PULL-UP:	<input type="checkbox"/>	CURTAIN TYPE: F: <input type="checkbox"/> EF: <input type="checkbox"/> NF: <input type="checkbox"/>		D4-	" INSIDE OPENING WIDTH
D5-	" BUMPER PROJ.			D6-	" DOOR HEIGHT
D6-	" DOOR HEIGHT			D7-	" DOOR WIDTH
D7-	" DOOR WIDTH				
DIMS.		SIDE PAD DATA:		<p><b>PERMA TECH, INC.</b> 363 HAMBURG STREET • BUFFALO, NY 14204 (716) 854-0707 • 1-800-DOC-SEAL <a href="http://www.permatechinc.com">www.permatechinc.com</a></p>	
B1-	" LENGTH	BACK BOARD- W: <input type="checkbox"/> S: <input type="checkbox"/>			
B2-	" WIDTH AT REAR	MATERIAL-			
B3-	" WIDTH AT FACE	WEAR FACE: <input type="checkbox"/>			
B4-	" PROJ. AT BOTTOM	INSIDE WRAP: <input type="checkbox"/>			
B5-	" PROJ. AT TOP	PERMA PLEATS: <input type="checkbox"/>			
		PLEAT MATERIAL-		JOB:	
		EXPOSURE-		DEALER:	
				CONTACT:	
				APPROVED BY SIGNATURE:	
				DATE:	
				QUOTE #:	