

# DOUBLE ACTING "FLEXIBLE" TRAFFIC DOOR



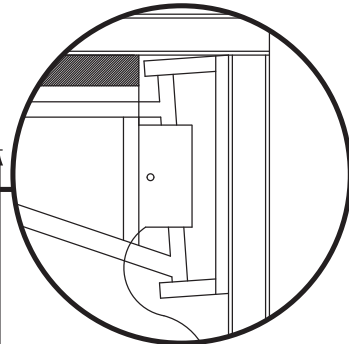
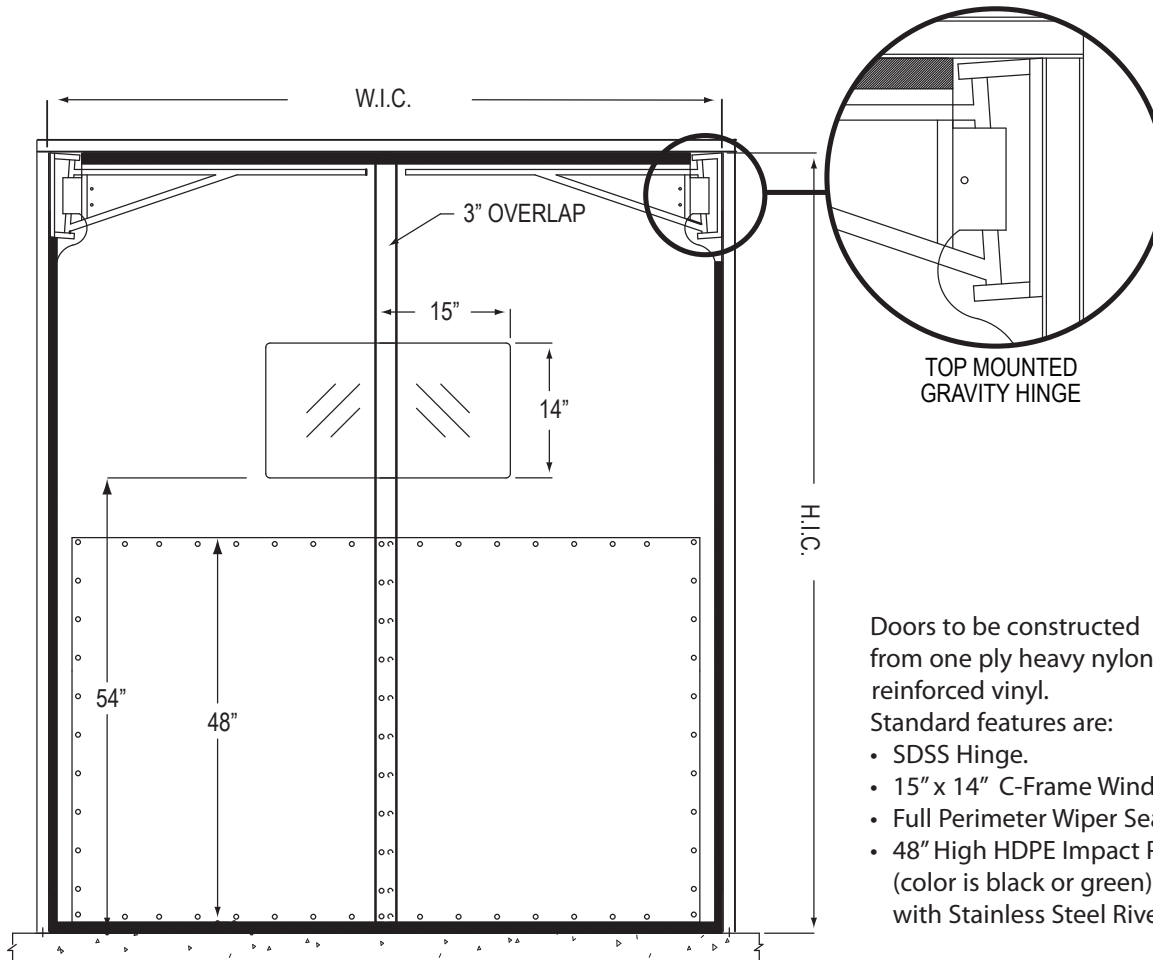
**Perma Tech. Inc.**

363 Hamburg Street, Buffalo, NY 14204

Tel: 716-854-0707

Fax: 716-854-0774

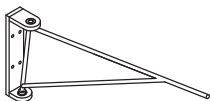
Sales@PermaTechInc.com www.PermaTechInc.com



TOP MOUNTED GRAVITY HINGE

Doors to be constructed from one ply heavy nylon reinforced vinyl.  
 Standard features are:

- SDSS Hinge.
- 15" x 14" C-Frame Windows.
- Full Perimeter Wiper Seal.
- 48" High HDPE Impact Plates. (color is black or green) with Stainless Steel Rivets.



SDSS (STND.)  
STAINLESS STEEL

## DOOR SPECIFICATION

Opening Width \_\_\_\_\_ x Height \_\_\_\_\_  
 Qty. \_\_\_\_\_

- BI-PARTING       SINGLE PANEL  
 L       R

## COLOR OPTIONS

- BLACK       BLUE       RED  
 BROWN       GREEN

## OPTIONS FOR AIR PRESSURE

- SPRING LOADED HINGES  
 CLOSING MAGNETS

## WINDOW SIZES

- 15" x 14" (STANDARD)  
 22" x 22"  
 OTHER

## WINDOW LOCATION

- C-FRAME (STANDARD)  
 CENTERED  
 OFFSET

**Charges will be assumed by buyer for changes or cancellations to work in process. Buyer hereby accepts responsibility for all sizes and dimensions. This order will not be processed until all acknowledgement forms are signed and returned.**

Specification accepted by: \_\_\_\_\_

Date: \_\_\_\_\_

## PT - 750 FLEX DOOR

JOB NAME/LOCATION

CUSTOMER/LOCATION

CUST. ORDER NO.

CUST. PO ORDER NO.